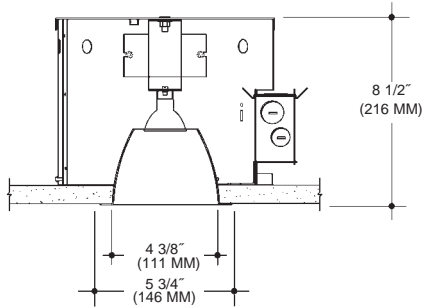


## OPEN REFLECTOR



Aperture: 4 3/8", Ceiling Cutout: 4 1/2", OD: 5 3/4"

### Housing

Part #	Description
<b>50W Low Voltage MR16 Transformer 1 Lamp Housing</b>	
AV4LV50-120	- 4" 50W (1) lamp 120V
AV4LV50-277	- 4" 50W (1) lamp 277V
<b>75W Low Voltage MR16 Transformer 1 Lamp Housing</b>	
AV4LV75-120	- 4" 75W (1) lamp 120V
AV4LV75-277	- 4" 75W (1) lamp 277V
<b>Lamp Base: GU5.3 Bi-Pin MR16</b>	

### Trim

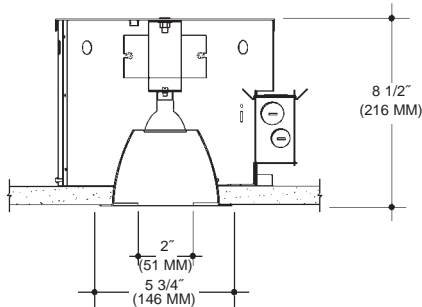
Part #	Description
AV415SPCL	- Specular Clear Alzak® Reflector
AV415SPGO	- Specular Gold Alzak® Reflector
AV415SPWT	- Specular Wheat Alzak® Reflector
AV415SPPW	- Specular Pewter Alzak® Reflector
AV415SPUM	- Specular Umber Alzak® Reflector
AV415SPBL	- Specular Black Alzak® Reflector
AV415WH	- Matte White Reflector
<b>More Color Options Available See Page 16</b>	
<b>Factory Standard is a Low Iridescent Alzak® finish</b>	
<b>Alzak® is a registered trademark of ALCOA</b>	

### Accessories

CB517 - Caddy Bars (517)	FS - Fuse
CB520 - Caddy Bars (520)	



## PIN HOLE REFLECTOR



Aperture: 2", Ceiling Cutout: 4 1/2", OD: 5 3/4"

### Housing

Part #	Description
<b>50W Low Voltage MR16 Transformer 1 Lamp Housing</b>	
AV4LV50-120	- 4" 50W (1) lamp 120V
AV4LV50-277	- 4" 50W (1) lamp 277V
<b>75W Low Voltage MR16 Transformer 1 Lamp Housing</b>	
AV4LV75-120	- 4" 75W (1) lamp 120V
AV4LV75-277	- 4" 75W (1) lamp 277V
<b>Lamp Base: GU5.3 Bi-Pin MR16</b>	

### Trim

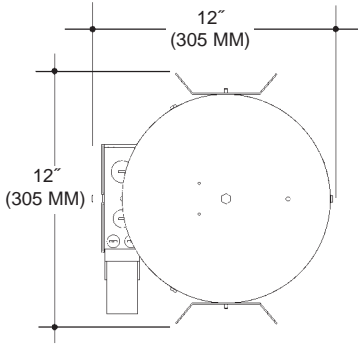
Part #	Description
<b>2" Pinhole Reflector</b>	
AV415SPCL-PH	- Upper Specular Clear Alzak® Reflector
AV415WH-PH	- Upper Matte White Reflector
<b>Matte White Pinhole Factory Standard</b>	
<b>More Color Options Available See Page 16</b>	
<b>Factory Standard is a Low Iridescent Alzak® finish</b>	
<b>Alzak® is a registered trademark of ALCOA</b>	

### Accessories

CB517 - Caddy Bars (517)	FS - Fuse
CB520 - Caddy Bars (520)	



### 4 3/8" Vertical MR16 Low Voltage



#### Additional Product Info

##### Reflector

Single piece hand spun low iridescent Alzak® reflector with standard self trim flange and a white trim finish. 45° Lamp cutoff allows for a better visual cutoff than generally available.

High Polish flange, white and black trim finish's available consult factory.

##### Socket

UL Listed, Bi-pin GU5.3 MR16 socket.

##### Ballast

UL Listed, thermally protected electronic low voltage transformer.

Ballast mounted to a galvanized snap on cover, mounted to junction box which is serviceable from below.

##### Frame

Prewired electrogalvanized heavy steel junction box listed for through branch circuit wiring with 1/2" & 3/4" pryouts.

Housing accommodates any ceilings with a max. thickness of 1 3/4"

#### Frame Options

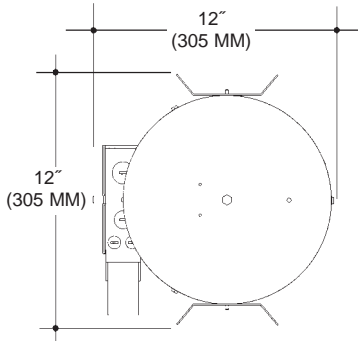
CFM - Custom Frame Modifications (*consult factory*)

#### Trim Options

- PFL - Polish Flange
- FGSK - Flange Gasket
- GR - Goof Ring\*

\* - specify I.D. and O.D. standard white finish

### 4 3/8" Vertical MR16 Low Voltage



#### Additional Product Info

##### Reflector

Single piece hand spun low iridescent Alzak® reflector with standard self trim flange and a white trim finish. 45° Lamp cutoff allows for a better visual cutoff than generally available.

High Polish flange, white and black trim finish's available consult factory.

##### Socket

UL Listed, Bi-pin GU5.3 MR16 socket.

##### Ballast

UL Listed, thermally protected electronic low voltage transformer.

Ballast mounted to a galvanized snap on cover, mounted to junction box which is serviceable from below.

##### Frame

Prewired electrogalvanized heavy steel junction box listed for through branch circuit wiring with 1/2" & 3/4" pryouts.

Housing accommodates any ceilings with a max. thickness of 1 3/4"

#### Frame Options

CFM - Custom Frame Modifications (*consult factory*)

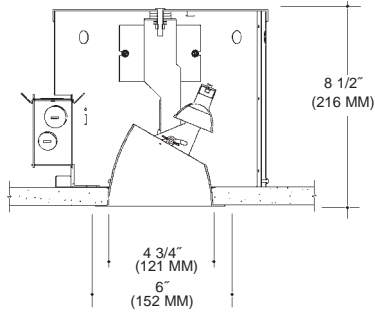
#### Trim Options

- PFL - Polish Flange
- FGSK - Flange Gasket
- GR - Goof Ring\*

\* - specify I.D. and O.D. standard white finish



## OPEN ADJUSTABLE REFLECTOR



Aperture: 4 3/4", Ceiling Cutout: 5", OD: 6"

### Housing

Part #	Description
<b>50W Low Voltage MR16 Transformer</b>	
<b>1 Lamp Housing</b>	
ADV4LV50-120	- 4" 50W (1) lamp 120V
ADV4LV50-277	- 4" 50W (1) lamp 277V
<b>75W Low Voltage MR16 Transformer</b>	
<b>1 Lamp Housing</b>	
ADV4LV75-120	- 4" 75W (1) lamp 120V
ADV4LV75-277	- 4" 75W (1) lamp 277V
<b>Lamp Base: GU5.3 Bi-Pin MR16</b>	
<b>Lamp Adjustability: 35° Tilt / 359° Rotation</b>	

### Trim

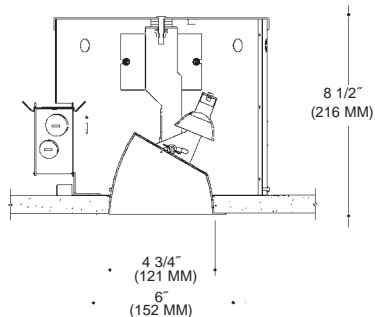
Part #	Description
ADV415SPCL	- Specular Clear Alzak® Reflector
ADV415SPGO	- Specular Gold Alzak® Reflector
ADV415SPWT	- Specular Wheat Alzak® Reflector
ADV415SPPW	- Specular Pewter Alzak® Reflector
ADV415SPUM	- Specular Umber Alzak® Reflector
ADV415SPBL	- Specular Black Alzak® Reflector
ADV415WH	- Matte White Reflector
<b>More Color Options Available See Page 16</b>	
<b>Factory Standard is a Low Iridescent Alzak® finish</b>	
<b>Alzak® is a registered trademark of ALCOA</b>	

### Accessories

CB517 - Caddy Bars (517) FS - Fuse  
 CB520 - Caddy Bars (520)



## ADJUSTABLE SPREAD LENS WALL WASH REFLECTOR



Aperture: 2", Ceiling Cutout: 4 1/2", OD: 5 3/4"

### Housing

Part #	Description
<b>50W Low Voltage MR16 Transformer</b>	
<b>1 Lamp Housing</b>	
ADV4LV50-120	- 4" 50W (1) lamp 120V
ADV4LV50-277	- 4" 50W (1) lamp 277V
<b>75W Low Voltage MR16 Transformer</b>	
<b>1 Lamp Housing</b>	
ADV4LV75-120	- 4" 75W (1) lamp 120V
ADV4LV75-277	- 4" 75W (1) lamp 277V
<b>Lamp Base: GU5.3 Bi-Pin MR16</b>	
<b>Lamp Adjustability: 35° Tilt / 359° Rotation</b>	

### Trim

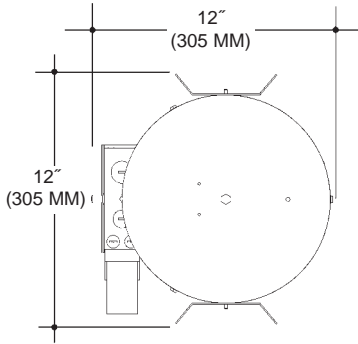
Part #	Description
<b>Spread Lens Wall Wash Reflector</b>	
ADV490SPCL	- Specular Clear Alzak® Reflector
ADV490SPGO	- Specular Gold Alzak® Reflector
ADV490WH	- Matte White Reflector
<b>More Color Options Available See Page 16</b>	
<b>Factory Standard is a Low Iridescent Alzak® finish</b>	
<b>Alzak® is a registered trademark of ALCOA</b>	

### Accessories

CB517 - Caddy Bars (517) FS - Fuse  
 CB520 - Caddy Bars (520)



### 4 3/8" Vertical Adjustable MR16 Low Voltage



#### Additional Product Info

##### Reflector

Single piece hand spun low iridescent Alzak® reflector with standard self trim flange and a white trim finish. 45° Lamp cutoff allows for a better visual cutoff than generally available.

High Polish flange, white and black trim finish's available consult factory.

##### Socket

UL Listed, Bi-pin GU5.3 MR16 socket.

##### Ballast

UL Listed, thermally protected electronic low voltage transformer.

Ballast mounted to a galvanized snap on cover, mounted to junction box which is serviceable from below.

##### Frame

Prewired electrogalvanized heavy steel junction box listed for through branch circuit wiring with 1/2" & 3/4" pryouts.

Housing accommodates any ceilings with a max. thickness of 1 3/4"

#### Frame Options

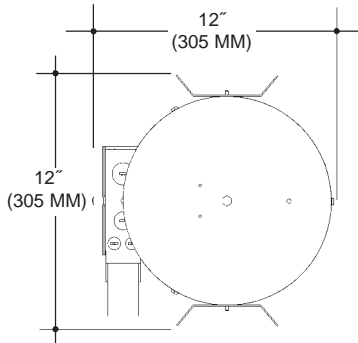
CFM - Custom Frame Modifications (*consult factory*)

#### Trim Options

PFL - Polish Flange  
 FGSK - Flange Gasket  
 GR - Goof Ring\*

\* - specify I.D. and O.D. standard white finish

### 4 3/8" Vertical Adjustable MR16 Low Voltage



#### Additional Product Info

##### Reflector

Single piece hand spun low iridescent Alzak® reflector with standard self trim flange and a white trim finish. 45° Lamp cutoff allows for a better visual cutoff than generally available.

High Polish flange, white and black trim finish's available consult factory.

##### Socket

UL Listed, Bi-pin GU5.3 MR16 socket.

##### Ballast

UL Listed, thermally protected electronic low voltage transformer.

Ballast mounted to a galvanized snap on cover, mounted to junction box which is serviceable from below.

##### Frame

Prewired electrogalvanized heavy steel junction box listed for through branch circuit wiring with 1/2" & 3/4" pryouts.

Housing accommodates any ceilings with a max. thickness of 1 3/4"

#### Frame Options

CFM - Custom Frame Modifications (*consult factory*)

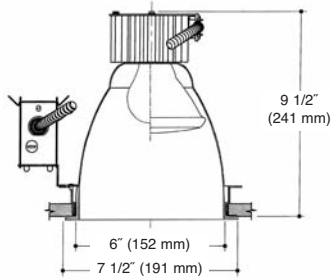
#### Trim Options

PFL - Polish Flange  
 FGSK - Flange Gasket  
 GR - Goof Ring\*

\* - specify I.D. and O.D. standard white finish



## OPEN REFLECTOR



Aperture: 6", Ceiling Cutout: 6 1/4", OD: 7 1/2"

### Housing

Part #	Description
<b>MRI Incandescent</b>	
AV6MRI - 6"	150W Max. Incandescent

#### Suitable Lamp Types:

A19/A21/A23/PS25, BR40,  
Par16/Par20/Par30

Single piece hand spun low iridescent *Alzak*® reflector with 45° cutoff to lamp. Factory standard self trim flange with a white finish

Prewired aluminum junction box listed for through branch circuit wiring with 1/2" & 3/4" pryouts.

Adjustable universal aluminum mounting ears supplied which will accept most mounting bars including c-channel.

UL listed thermal protector cutout.

Fixture tested and rated for use in M.R.I rooms.  
Ceiling insulation must be kept 3" away from housing.  
Listed for damp locations and wet locations under covered canopy.

### Trim

Part #	Description
AV614SPCL	- Specular Clear <i>Alzak</i> ® Reflector
AV614SPGO	- Specular Gold <i>Alzak</i> ® Reflector
AV614SPWT	- Specular Wheat <i>Alzak</i> ® Reflector
AV614SPPW	- Specular Pewter <i>Alzak</i> ® Reflector
AV614SPUM	- Specular Umber <i>Alzak</i> ® Reflector
AV614SPBL	- Specular Black <i>Alzak</i> ® Reflector
AV614WH	- Matte White Reflector

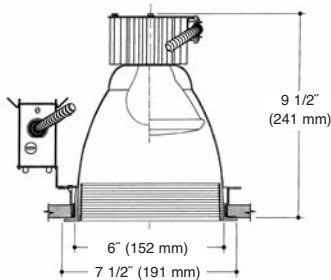
More Color Options Available See Page 16  
Factory Standard is a Low Iridescent *Alzak*® finish  
*Alzak*® is a registered trademark of ALCOA

#### Accessories

PFL - Polish Flange      BFL - Matte Black Flange  
FGSK - Flange Gasket



## OPEN BAFFLE REFLECTOR



Aperture: 6", Ceiling Cutout: 6 1/4", OD: 7 1/4"

### Housing

Part #	Description
<b>MRI Incandescent</b>	
AV6MRI - 6"	150W Max. Incandescent

#### Suitable Lamp Types:

A19/A21/A23/PS25, BR40,  
Par16/Par20/Par30

Single piece hand spun low iridescent *Alzak*® reflector with 45° cutoff to lamp. Factory standard self trim flange with a white finish

Prewired aluminum junction box listed for through branch circuit wiring with 1/2" & 3/4" pryouts.

Adjustable universal aluminum mounting ears supplied which will accept most mounting bars including c-channel.

UL listed thermal protector cutout.

Fixture tested and rated for use in M.R.I rooms.  
Ceiling insulation must be kept 3" away from housing.  
Listed for damp locations and wet locations under covered canopy.

### Trim

Part #	Description
<b>Black Multi-Groove Baffle</b>	
AV616SPCL	- Specular Clear <i>Alzak</i> ® Reflector
AV616SPGO	- Specular Gold <i>Alzak</i> ® Reflector
AV616WH	- Matte White Reflector
<b>White Multi-Groove Baffle</b>	
AV617SPCL	- Specular Clear <i>Alzak</i> ® Reflector
AV617SPGO	- Specular Gold <i>Alzak</i> ® Reflector
AV617WH	- Matte White Reflector

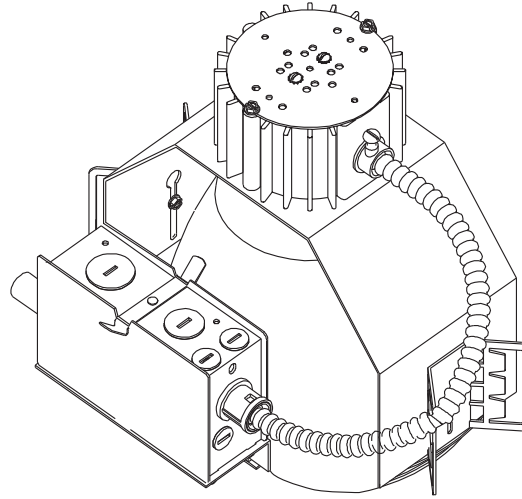
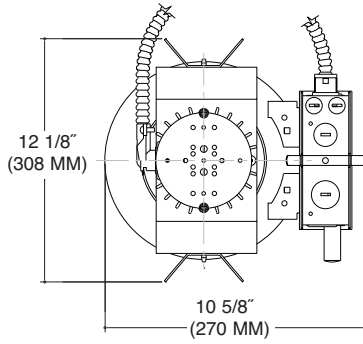
More Color Options Available See Page 16  
Factory Standard is a Low Iridescent *Alzak*® finish  
*Alzak*® is a registered trademark of ALCOA

#### Accessories

PFL - Polish Flange      BFL - Matte Black Flange  
FGSK - Flange Gasket



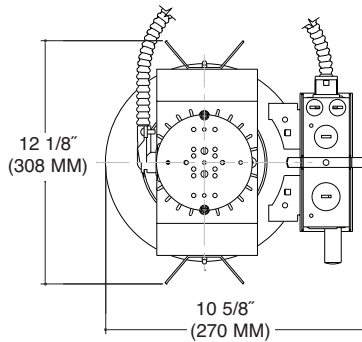
6" Vertical MRI Incandescent



Frame Options
<p><b>CFM</b> - Custom Frame Modifications (<i>consult factory</i>)</p> <p><b>SA**</b> - Slope Ceiling Adaptor (<i>white finish standard</i>)</p>
<p>** - specify slope degrees in 5° increments up to 45°</p>

Trim Options
<p><b>GR</b> - Goof Ring*</p>
<p>* - specify I.D. and O.D. standard white finish</p>

6" Vertical MRI Incandescent



Additional Product Info

**Reflector**

Single piece hand spun low iridescent Alzak® reflector with standard self trim flange and a white trim finish. 45° Lamp cutoff allows for a better visual cutoff than generally available.

High Polish flange, white and black trim finish's available consult factory.

**Socket**

UL Listed, 4K porcelain socket.

**Frame**

Prewired aluminum junction box listed for through branch circuit wiring with 1/2" & 3/4" pryouts.

Thermally protected 120V thermal cutout factory wired.

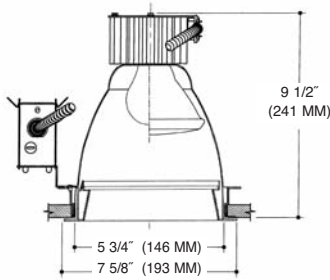
Housing accommodates any ceilings with a max. thickness of 1 3/4"

Frame Options
<p><b>CFM</b> - Custom Frame Modifications (<i>consult factory</i>)</p> <p><b>SA**</b> - Slope Ceiling Adaptor (<i>white finish standard</i>)</p>
<p>** - specify slope degrees in 5° increments up to 45°</p>

Trim Options
<p><b>GR</b> - Goof Ring*</p>
<p>* - specify I.D. and O.D. standard white finish</p>



## ENCLOSED LENS REFLECTOR



Aperture: 6", Ceiling Cutout: 6 1/4", OD: 7 1/2"

### Housing

Part #	Description
MRI Incandescent	
AV6MRI - 6"	100W Max. Incandescent

**Suitable Lamp Types:**  
A19/A21/A23/PS25, BR40

### Trim

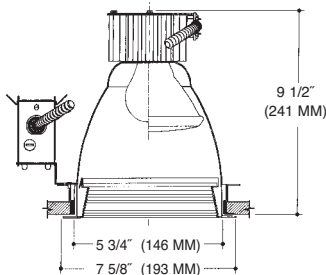
Part #	Description
<b>Tempered C73 Prismatic Lens</b>	
AV640SPCL	- Specular Clear <i>Alzak</i> <sup>®</sup> Splay
AV640WH	- Matte White Splay
<b>Fresnel Lens</b>	
AV642SPCL	- Specular Clear <i>Alzak</i> <sup>®</sup> Splay
AV642WH	- Matte White Splay
<b>Tempered Clear Lens</b>	
AV646SPCL	- Specular Clear <i>Alzak</i> <sup>®</sup> Splay
AV646WH	- Matte White Splay
More Color Options Available See Page 16	
Factory Standard is a Low Iridescent <i>Alzak</i> <sup>®</sup> finish	
<i>Alzak</i> <sup>®</sup> is a registered trademark of ALCOA	

#### Accessories

PFL - Polish Flange      BFL - Matte Black Flange  
FGSK - Flange Gasket



## ENCLOSED BAFFLED LENS REFLECTOR



Aperture: 6", Ceiling Cutout: 6 1/4", OD: 7 1/4"

### Housing

Part #	Description
MRI Incandescent	
AV6MRI - 6"	100W Max. Incandescent

**Suitable Lamp Types:**  
A19/A21/A23/PS25, BR40

### Trim

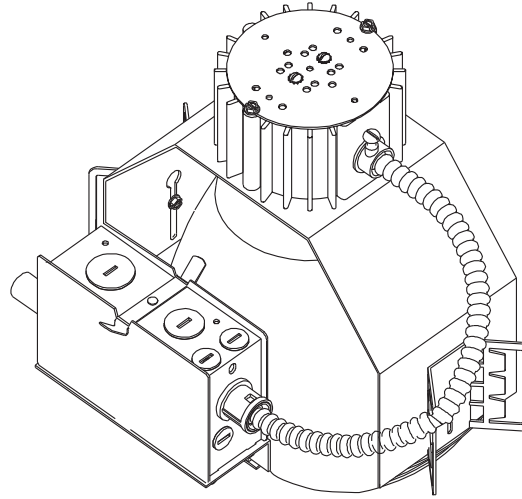
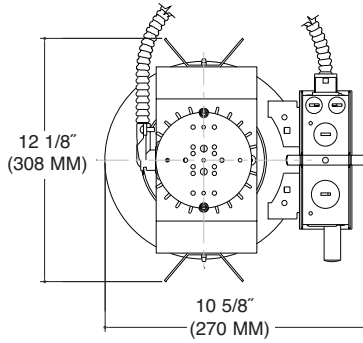
Part #	Description
<b>Tempered C73 Prismatic Lens</b>	
AV650SPCL	- Black Multi Groove Baffle Splay
AV650WH	- White Multi Groove Baffle Splay
<b>Fresnel Lens</b>	
AV652SPCL	- Black Multi Groove Baffle Splay
AV652WH	- White Multi Groove Baffle Splay
<b>Tempered Clear Lens</b>	
AV656SPCL	- Black Multi Groove Baffle Splay
AV656WH	- White Multi Groove Baffle Splay
More Color Options Available See Page 16	
Factory Standard is a Low Iridescent <i>Alzak</i> <sup>®</sup> finish	
<i>Alzak</i> <sup>®</sup> is a registered trademark of ALCOA	

#### Accessories

FGSK - Flange Gasket      BFL - Matte Black Flange



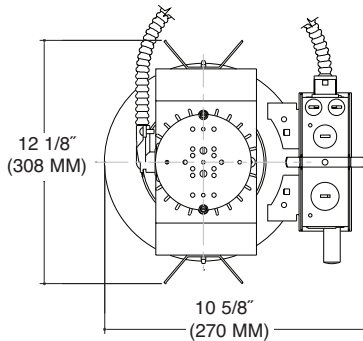
6" Vertical MRI Incandescent



Frame Options
<p><b>CFM</b> - Custom Frame Modifications (<i>consult factory</i>)  <b>SA**</b> - Slope Ceiling Adaptor (<i>white finish standard</i>)</p>
<p>** - specify slope degrees in 5° increments up to 45°</p>

Trim Options
<p><b>GR</b> - Goof Ring*</p>
<p>* - specify I.D. and O.D. standard white finish</p>

6" Vertical MRI Incandescent



Additional Product Info

**Reflector**

Single piece hand spun low iridescent Alzak® reflector with standard self trim flange and a white trim finish. 45° Lamp cutoff allows for a better visual cutoff than generally available.

High Polish flange, white and black trim finish's available consult factory.

**Socket**

UL Listed, 4K porcelain socket.

**Frame**

Prewired aluminum junction box listed for through branch circuit wiring with 1/2" & 3/4" pryouts.

Thermally protected 120V thermal cutout factory wired.

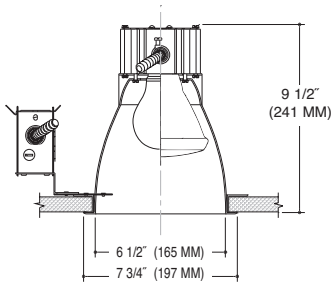
Housing accommodates any ceilings with a max. thickness of 1 3/4"

Frame Options
<p><b>CFM</b> - Custom Frame Modifications (<i>consult factory</i>)  <b>SA**</b> - Slope Ceiling Adaptor (<i>white finish standard</i>)</p>
<p>** - specify slope degrees in 5° increments up to 45°</p>

Trim Options
<p><b>GR</b> - Goof Ring*</p>
<p>* - specify I.D. and O.D. standard white finish</p>



## OPEN REFLECTOR



Aperture: 6 1/2", Ceiling Cutout: 6 3/4", OD: 7 3/4"

### Housing

Part #	Description
MRI Incandescent	
AV7MRI	- 7" 150W Max. Incandescent

#### Suitable Lamp Types:

A19/A21/A23/PS25, BR40,  
Par16/Par20/Par30

### Trim

Part #	Description
AV714SPCL	- Specular Clear Alzak® Reflector
AV714SPGO	- Specular Gold Alzak® Reflector
AV714SPWT	- Specular Wheat Alzak® Reflector
AV714SPPW	- Specular Pewter Alzak® Reflector
AV714SPUM	- Specular Umber Alzak® Reflector
AV714SPBL	- Specular Black Alzak® Reflector
AV714WH	- Matte White Reflector

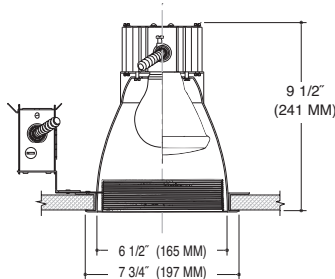
More Color Options Available See Page 16  
Factory Standard is a Low Iridescent Alzak® finish  
Alzak® is a registered trademark of ALCOA

#### Accessories

PFL - Polish Flange      BFL - Matte Black Flange  
FGSK - Flange Gasket



## OPEN BAFFLE REFLECTOR



Aperture: 6 1/2", Ceiling Cutout: 6 3/4", OD: 7 3/4"

### Housing

Part #	Description
MRI Incandescent	
AV7MRI	- 7" 150W Max. Incandescent

#### Suitable Lamp Types:

A19/A21/A23/PS25, BR40,  
Par16/Par20/Par30

### Trim

Part #	Description
<b>Black Multi-Groove Baffle</b>	
AV716SPCL	- Specular Clear Alzak® Reflector
AV716SPGO	- Specular Gold Alzak® Reflector
AV716WH	- Matte White Reflector
<b>White Multi-Groove Baffle</b>	
AV717SPCL	- Specular Clear Alzak® Reflector
AV717SPGO	- Specular Gold Alzak® Reflector
AV717WH	- Matte White Reflector

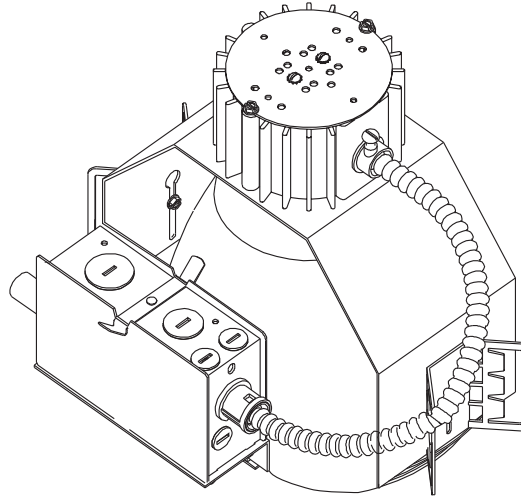
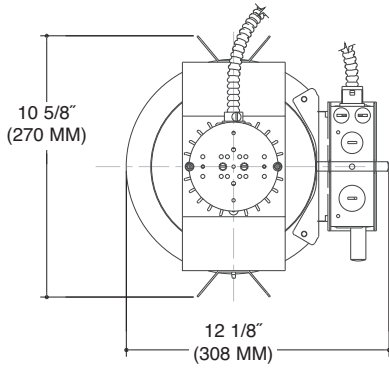
More Color Options Available See Page 16  
Factory Standard is a Low Iridescent Alzak® finish  
Alzak® is a registered trademark of ALCOA

#### Accessories

PFL - Polish Flange      BFL - Matte Black Flange  
FGSK - Flange Gasket

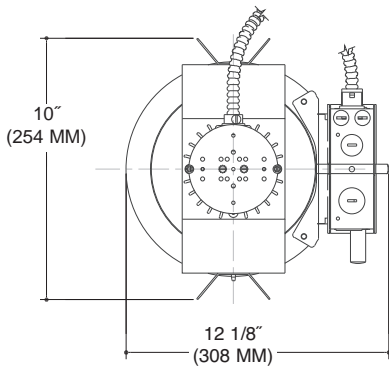


7" Vertical MRI Incandescent



Frame Options	Trim Options
<p><b>CFM</b> - Custom Frame Modifications (<i>consult factory</i>)  <b>SA**</b> - Slope Ceiling Adaptor (<i>white finish standard</i>)</p>	<p><b>GR</b> - Goof Ring*</p>
<p>** - specify slope degrees in 5° increments up to 45°</p>	<p>* - specify I.D. and O.D. standard white finish</p>

7" Vertical MRI Incandescent



Additional Product Info

**Reflector**

Single piece hand spun low iridescent Alzak® reflector with standard self trim flange and a white trim finish. 45° Lamp cutoff allows for a better visual cutoff than generally available.

High Polish flange, white and black trim finish's available consult factory.

**Socket**

UL Listed, 4K porcelain socket.

**Frame**

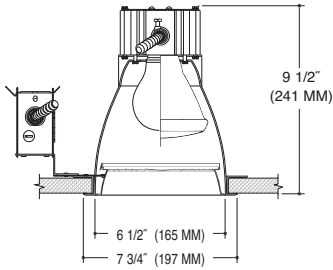
Prewired aluminum junction box listed for through branch circuit wiring with 1/2" & 3/4" pryouts.

Thermally protected 120V thermal cutout factory wired.

Housing accommodates any ceilings with a max. thickness of 1 3/4"

Frame Options	Trim Options
<p><b>CFM</b> - Custom Frame Modifications (<i>consult factory</i>)  <b>SA**</b> - Slope Ceiling Adaptor (<i>white finish standard</i>)</p>	<p><b>GR</b> - Goof Ring*</p>
<p>** - specify slope degrees in 5° increments up to 45°</p>	<p>* - specify I.D. and O.D. standard white finish</p>

## ENCLOSED LENS REFLECTOR



Aperture: 6 1/2", Ceiling Cutout: 6 3/4", OD: 7 3/4"

### Housing

Part #	Description
MRI Incandescent	
AV7MRI - 7"	150W Max. Incandescent

**Suitable Lamp Types:**  
A19/A21/A23/PS25, BR40

### Trim

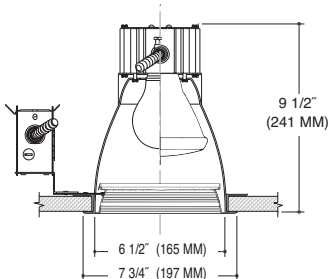
Part #	Description
<b>Tempered C73 Prismatic Lens</b>	
AV740SPCL	- Specular Clear Alzak® Splay
AV740WH	- Matte White Splay
<b>Fresnel Lens</b>	
AV742SPCL	- Specular Clear Alzak® Splay
AV742WH	- Matte White Splay
<b>Tempered Clear Lens</b>	
AV746SPCL	- Specular Clear Alzak® Splay
AV746WH	- Matte White Splay
More Color Options Available See Page 16	
Factory Standard is a Low Iridescent Alzak® finish	
Alzak® is a registered trademark of ALCOA	

### Accessories

PFL - Polish Flange	BFL - Matte Black Flange
FGSK - Flange Gasket	



## ENCLOSED BAFFLED LENS REFLECTOR



Aperture: 6 1/2", Ceiling Cutout: 6 3/4", OD: 7 3/4"

### Housing

Part #	Description
MRI Incandescent	
AV7MRI - 7"	150W Max. Incandescent

**Suitable Lamp Types:**  
A19/A21/A23/PS25, BR40

### Trim

Part #	Description
<b>Tempered C73 Prismatic Lens</b>	
AV750SPCL	- Black Multi Groove Baffle Splay
AV750WH	- White Multi Groove Baffle Splay
<b>Fresnel Lens</b>	
AV752SPCL	- Black Multi Groove Baffle Splay
AV752WH	- White Multi Groove Baffle Splay
<b>Tempered Clear Lens</b>	
AV756SPCL	- Black Multi Groove Baffle Splay
AV756WH	- White Multi Groove Baffle Splay
More Color Options Available See Page 16	
Factory Standard is a Low Iridescent Alzak® finish	
Alzak® is a registered trademark of ALCOA	

### Accessories

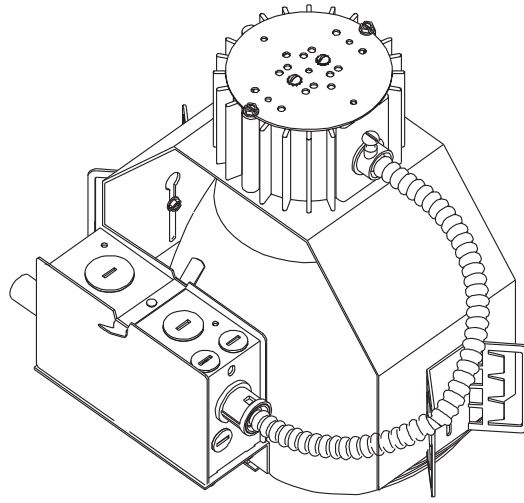
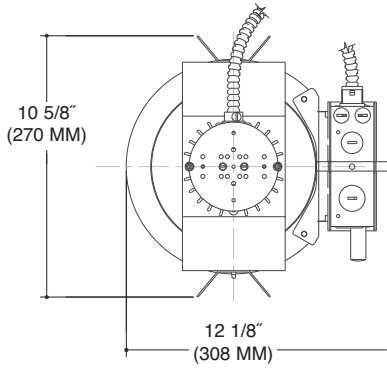
FGSK - Flange Gasket	BFL - Matte Black Flange
----------------------	--------------------------



7"

Architectural Vertical MRI Incandescent (A-Lamp)

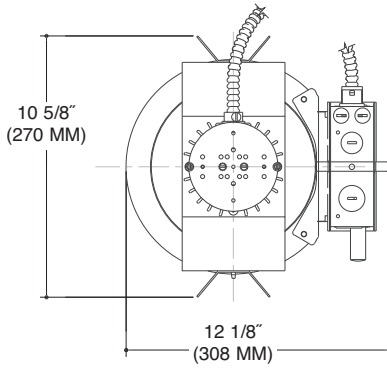
**7" Vertical MRI Incandescent**



Frame Options
<p><b>CFM</b> - Custom Frame Modifications (<i>consult factory</i>)  <b>SA**</b> - Slope Ceiling Adaptor (<i>white finish standard</i>)</p>
<p>** - specify slope degrees in 5° increments up to 45°</p>

Trim Options
<p><b>GR</b> - Goof Ring*</p>
<p>* - specify I.D. and O.D. standard white finish</p>

**7" Vertical MRI Incandescent**



**Additional Product Info**

**Reflector**

Single piece hand spun low iridescent Alzak® reflector with standard self trim flange and a white trim finish. 45° Lamp cutoff allows for a better visual cutoff than generally available.

**Socket**

UL Listed, 4K porcelain socket.

**Frame**

Prewired aluminum junction box listed for through branch circuit wiring with 1/2" & 3/4" pryouts.

Thermally protected 120V thermal cutout factory wired.

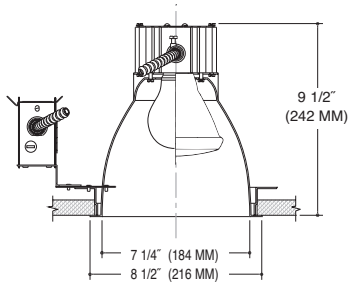
Housing accommodates any ceilings with a max. thickness of 1 3/4"

Frame Options
<p><b>CFM</b> - Custom Frame Modifications (<i>consult factory</i>)  <b>SA**</b> - Slope Ceiling Adaptor (<i>white finish standard</i>)</p>
<p>** - specify slope degrees in 5° increments up to 45°</p>

Trim Options
<p><b>GR</b> - Goof Ring*</p>
<p>* - specify I.D. and O.D. standard white finish</p>



## OPEN REFLECTOR



Aperture: 7 1/4", Ceiling Cutout: 7 1/2", OD: 8 1/2"

### Housing

Part #	Description
<b>MRI Incandescent</b>	
AV8MRI	8" 250W Max. Incandescent

**Suitable Lamp Types:**  
A19/A21/A23/PS25, BR40,  
Par16/Par20/Par30/Par38

### Trim

Part #	Description
AV814SPCL	Specular Clear Alzak® Reflector
AV814SPGO	Specular Gold Alzak® Reflector
AV814SPWT	Specular Wheat Alzak® Reflector
AV814SPPW	Specular Pewter Alzak® Reflector
AV814SPUM	Specular Umber Alzak® Reflector
AV814SPBL	Specular Black Alzak® Reflector
AV814WH	Matte White Reflector

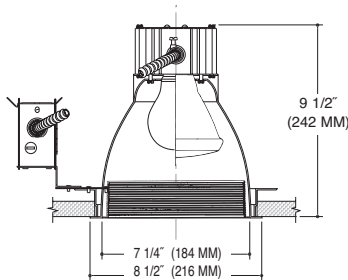
More Color Options Available See Page 16  
Factory Standard is a Low Iridescent Alzak® finish  
Alzak® is a registered trademark of ALCOA

### Accessories

PFL - Polish Flange                      BFL - Matte Black Flange  
FGSK - Flange Gasket



## OPEN BAFFLE REFLECTOR



Aperture: 7 1/4", Ceiling Cutout: 7 1/2", OD: 8 1/2"

### Housing

Part #	Description
<b>MRI Incandescent</b>	
AV8MRI	8" 250W Max. Incandescent

**Suitable Lamp Types:**  
A19/A21/A23/PS25, BR40,  
Par16/Par20/Par30/Par38

### Trim

Part #	Description
<b>Black Multi-Groove Baffle</b>	
AV816SPCL	Specular Clear Alzak® Reflector
AV816SPGO	Specular Gold Alzak® Reflector
AV816WH	Matte White Reflector
<b>White Multi-Groove Baffle</b>	
AV817SPCL	Specular Clear Alzak® Reflector
AV817SPGO	Specular Gold Alzak® Reflector
AV817WH	Matte White Reflector

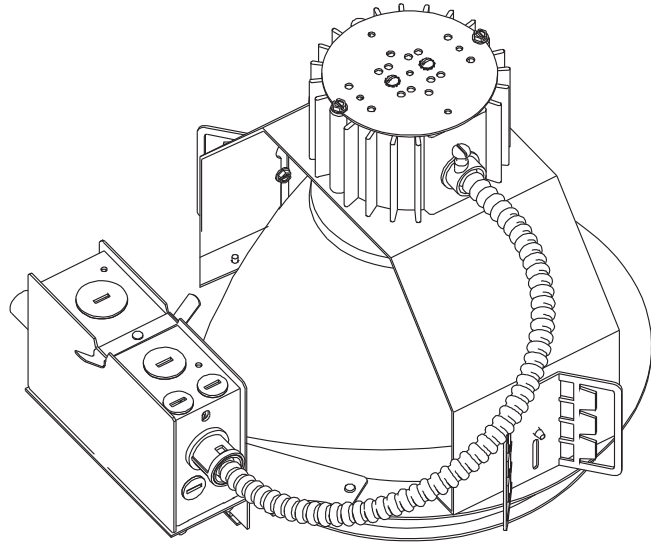
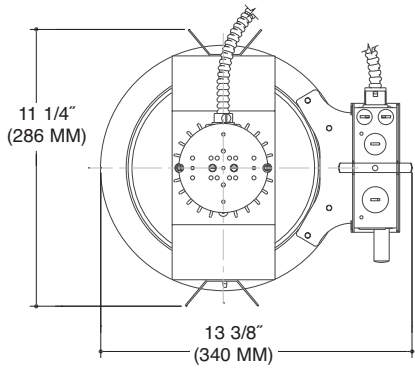
More Color Options Available See Page 16  
Factory Standard is a Low Iridescent Alzak® finish  
Alzak® is a registered trademark of ALCOA

### Accessories

PFL - Polish Flange                      BFL - Matte Black Flange  
FGSK - Flange Gasket



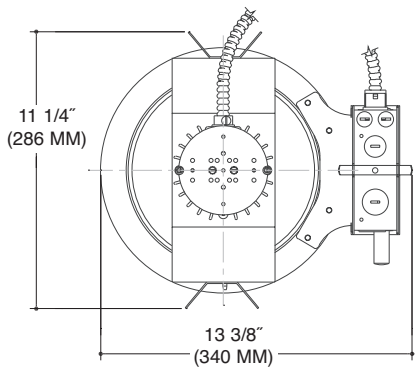
**8" Vertical MRI Incandescent**



Frame Options
<p><b>CFM</b> - Custom Frame Modifications (<i>consult factory</i>)</p> <p><b>SA**</b> - Slope Ceiling Adaptor (<i>white finish standard</i>)</p>
<p>** - specify slope degrees in 5° increments up to 45°</p>

Trim Options
<p><b>GR</b> - Goof Ring*</p>
<p>* - specify I.D. and O.D. standard white finish</p>

**8" Vertical MRI Incandescent**



**Additional Product Info**

**Reflector**

Single piece hand spun low iridescent Alzak® reflector with standard self trim flange and a white trim finish. 45° Lamp cutoff allows for a better visual cutoff than generally available.

High Polish flange, white and black trim finish's available consult factory.

**Socket**

UL Listed, 4K porcelain socket.

**Frame**

Prewired aluminum junction box listed for through branch circuit wiring with 1/2" & 3/4" pryouts.

Thermally protected 120V thermal cutout factory wired.

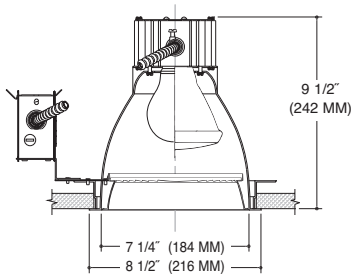
Housing accommodates any ceilings with a max. thickness of 1 3/4"

Frame Options
<p><b>CFM</b> - Custom Frame Modifications (<i>consult factory</i>)</p> <p><b>SA**</b> - Slope Ceiling Adaptor (<i>white finish standard</i>)</p>
<p>** - specify slope degrees in 5° increments up to 45°</p>

Trim Options
<p><b>GR</b> - Goof Ring*</p>
<p>* - specify I.D. and O.D. standard white finish</p>



## ENCLOSED LENS REFLECTOR



Aperture: 6 1/2", Ceiling Cutout: 6 3/4", OD: 7 3/4"

### Housing

Part #	Description
<b>MRI Incandescent</b>	
AV8MRI	8" 150W Max. Incandescent

**Suitable Lamp Types:**  
A19/A21/A23/PS25, BR40

Single piece hand spun low iridescent *Alzak*® reflector with 45° cutoff to lamp. Factory standard self trim flange with a white finish  
Prewired aluminum junction box listed for through branch circuit wiring with 1/2" & 3/4" pryouts.  
Adjustable universal aluminum mounting ears supplied which will accept most mounting bars including c-channel.  
UL listed thermal protector cutout.

Fixture tested and rated for use in M.R.I rooms.  
Ceiling insulation must be kept 3" away from housing.  
Listed for damp locations and wet locations under covered canopy.

### Trim

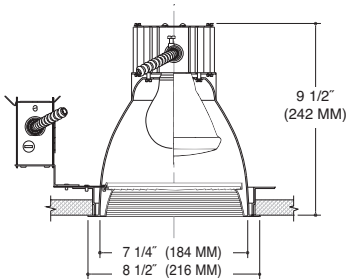
Part #	Description
<b>Tempered C73 Prismatic Lens</b>	
AV840SPCL	- Specular Clear <i>Alzak</i> ® Splay
AV840WH	- Matte White Splay
<b>Fresnel Lens</b>	
AV842SPCL	- Specular Clear <i>Alzak</i> ® Splay
AV842WH	- Matte White Splay
<b>Tempered Clear Lens</b>	
AV846SPCL	- Specular Clear <i>Alzak</i> ® Splay
AV846WH	- Matte White Splay
More Color Options Available See Page 16	
Factory Standard is a Low Iridescent <i>Alzak</i> ® finish	
<i>Alzak</i> ® is a registered trademark of ALCOA	

### Accessories

PFL - Polish Flange	BFL - Matte Black Flange
FGSK - Flange Gasket	



## ENCLOSED BAFFLED LENS REFLECTOR



Aperture: 6 1/2", Ceiling Cutout: 6 3/4", OD: 7 3/4"

### Housing

Part #	Description
<b>MRI Incandescent</b>	
AV8MRI	8" 150W Max. Incandescent

**Suitable Lamp Types:**  
A19/A21/A23/PS25, BR40

Single piece hand spun low iridescent *Alzak*® reflector with 45° cutoff to lamp. Factory standard self trim flange with a white finish  
Prewired aluminum junction box listed for through branch circuit wiring with 1/2" & 3/4" pryouts.  
Adjustable universal aluminum mounting ears supplied which will accept most mounting bars including c-channel.  
UL listed thermal protector cutout.

Fixture tested and rated for use in M.R.I rooms.  
Ceiling insulation must be kept 3" away from housing.  
Listed for damp locations and wet locations under covered canopy.

### Trim

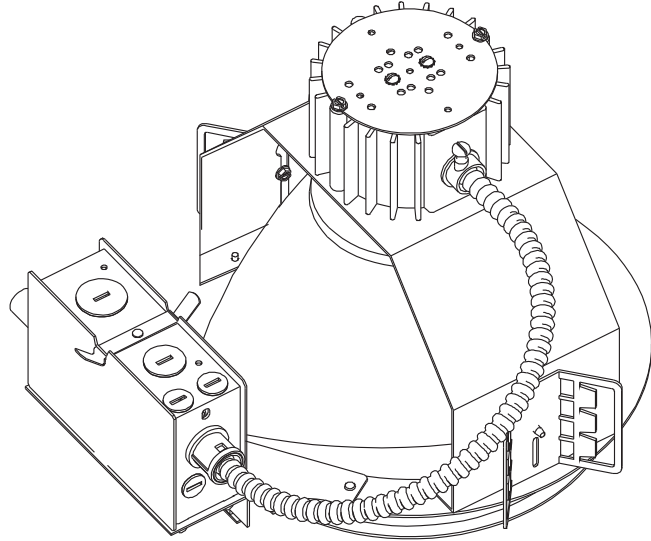
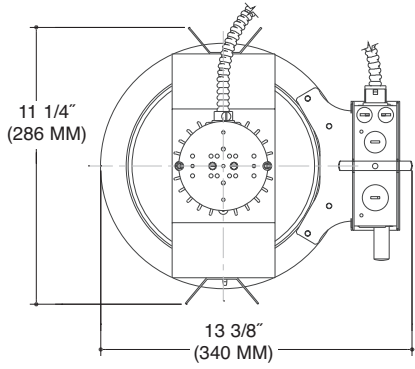
Part #	Description
<b>Tempered C73 Prismatic Lens</b>	
AV850SPCL	- Black Multi Groove Baffle Splay
AV850WH	- White Multi Groove Baffle Splay
<b>Fresnel Lens</b>	
AV852SPCL	- Black Multi Groove Baffle Splay
AV852WH	- White Multi Groove Baffle Splay
<b>Tempered Clear Lens</b>	
AV856SPCL	- Black Multi Groove Baffle Splay
AV856WH	- White Multi Groove Baffle Splay
More Color Options Available See Page 16	
Factory Standard is a Low Iridescent <i>Alzak</i> ® finish	
<i>Alzak</i> ® is a registered trademark of ALCOA	

### Accessories

FGSK - Flange Gasket	BFL - Matte Black Flange
----------------------	--------------------------



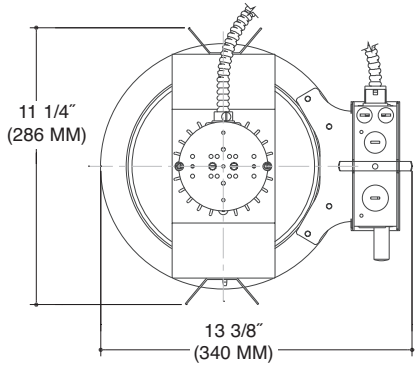
8" Vertical MRI Incandescent



Frame Options
<p><b>CFM</b> - Custom Frame Modifications (<i>consult factory</i>)  <b>SA**</b> - Slope Ceiling Adaptor (<i>white finish standard</i>)</p>
<p>** - specify slope degrees in 5° increments up to 45°</p>

Trim Options
<p><b>GR</b> - Goof Ring*</p>
<p>* - specify I.D. and O.D. standard white finish</p>

8" Vertical MRI Incandescent



Additional Product Info

**Reflector**

Single piece hand spun low iridescent Alzak® reflector with standard self trim flange and a white trim finish. 45° Lamp cutoff allows for a better visual cutoff than generally available.

**Socket**

UL Listed, 4K porcelain socket.

**Frame**

Prewired aluminum junction box listed for through branch circuit wiring with 1/2" & 3/4" pryouts.

Thermally protected 120V thermal cutout factory wired.

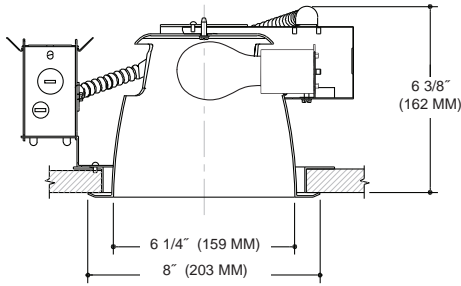
Housing accommodates any ceilings with a max. thickness of 1 3/4"

Frame Options
<p><b>CFM</b> - Custom Frame Modifications (<i>consult factory</i>)  <b>SA**</b> - Slope Ceiling Adaptor (<i>white finish standard</i>)</p>
<p>** - specify slope degrees in 5° increments up to 45°</p>

Trim Options
<p><b>GR</b> - Goof Ring*</p>
<p>* - specify I.D. and O.D. standard white finish</p>



## OPEN REFLECTOR



Aperture: 6 1/4", Ceiling Cutout: 6 1/2", OD: 8"

### Housing

Part #	Description
MRI Incandescent	
AH6MRI	6" 100W Max. Incandescent

Suitable Lamp Types:  
A19/A21

### Trim

Part #	Description
AH610SPCL	Specular Clear Alzak® Reflector
AH610SPGO	Specular Gold Alzak® Reflector
AH610SPWT	Specular Wheat Alzak® Reflector
AH610SPPW	Specular Pewter Alzak® Reflector
AH610SPUM	Specular Umber Alzak® Reflector
AH610SPBL	Specular Black Alzak® Reflector
AH610WH	Matte White Reflector

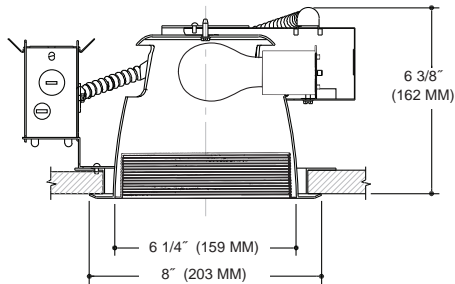
More Color Options Available See Page 16  
Factory Standard is a Low Iridescent Alzak® finish  
Alzak® is a registered trademark of ALCOA

### Accessories

PFL - Polish Flange	BFL - Matte Black Flange
FGSK - Flange Gasket	



## OPEN BAFFLE REFLECTOR



Aperture: 6 1/4", Ceiling Cutout: 6 1/2", OD: 8"

### Housing

Part #	Description
MRI Incandescent	
AH6MRI	6" 100W Max. Incandescent

Suitable Lamp Types:  
A19/A21

### Trim

Part #	Description
<b>Black Multi-Groove Baffle</b>	
AH621SPCL	Specular Clear Alzak® Reflector
AH621SPGO	Specular Gold Alzak® Reflector
AH621WH	Matte White Reflector
<b>White Multi-Groove Baffle</b>	
AH622SPCL	Specular Clear Alzak® Reflector
AH622SPGO	Specular Gold Alzak® Reflector
AH622WH	Matte White Reflector

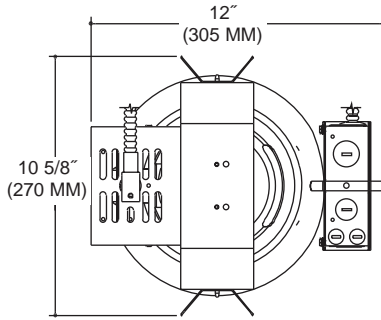
More Color Options Available See Page 16  
Factory Standard is a Low Iridescent Alzak® finish  
Alzak® is a registered trademark of ALCOA

### Accessories

PFL - Polish Flange	BFL - Matte Black Flange
FGSK - Flange Gasket	



## 6" Horizontal MRI Incandescent



### Additional Product Info

#### Reflector

Single piece hand spun low iridescent Alzak® reflector with standard self trim flange and a white trim finish. 45° Lamp cutoff allows for a better visual cutoff than generally available.

High Polish flange, white and black trim finish's available consult factory.

#### Socket

UL Listed, 4K porcelain socket.

#### Frame

Prewired aluminum junction box listed for through branch circuit wiring with 1/2" & 3/4" pryouts.

Thermally protected 120V thermal cutout factory wired.

Housing accommodates any ceilings with a max. thickness of 1 3/4"

### Frame Options

**CFM** - Custom Frame Modifications (*consult factory*)  
**SA\*\*** - Slope Ceiling Adaptor (*white finish standard*)

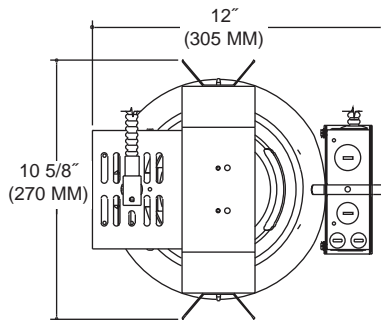
\*\* - specify slope degrees in 5° increments up to 45°

### Trim Options

**GR** - Goof Ring\*

\* - specify I.D. and O.D. standard white finish

## 6" Horizontal MRI Incandescent



### Additional Product Info

#### Reflector

Single piece hand spun low iridescent Alzak® reflector with standard self trim flange and a white trim finish. 45° Lamp cutoff allows for a better visual cutoff than generally available.

High Polish flange, white and black trim finish's available consult factory.

#### Socket

UL Listed, 4K porcelain socket.

#### Frame

Prewired aluminum junction box listed for through branch circuit wiring with 1/2" & 3/4" pryouts.

Thermally protected 120V thermal cutout factory wired.

Housing accommodates any ceilings with a max. thickness of 1 3/4"

### Frame Options

**CFM** - Custom Frame Modifications (*consult factory*)  
**SA\*\*** - Slope Ceiling Adaptor (*white finish standard*)

\*\* - specify slope degrees in 5° increments up to 45°

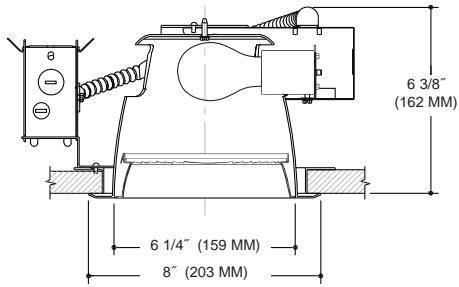
### Trim Options

**GR** - Goof Ring\*

\* - specify I.D. and O.D. standard white finish



## ENCLOSED LENS REFLECTOR



Aperture: 6 1/4", Ceiling Cutout: 6 1/2", OD: 8"

Single piece hand spun low iridescent *Alzak*® reflector with 45° cutoff to lamp. Factory standard self trim flange with a white finish

Prewired aluminum junction box listed for through branch circuit wiring with 1/2" & 3/4" pryouts.

Adjustable universal aluminum mounting ears supplied which will accept most mounting bars including c-channel.

UL listed thermal protector cutout.

Fixture tested and rated for use in M.R.I rooms.  
Ceiling insulation must be kept 3" away from housing.  
Listed for damp locations and wet locations under covered canopy.

### Housing

Part #	Description
MRI Incandescent	
AH6MRI	6" 100W Max. Incandescent

**Suitable Lamp Types:**  
A19/A21

### Trim

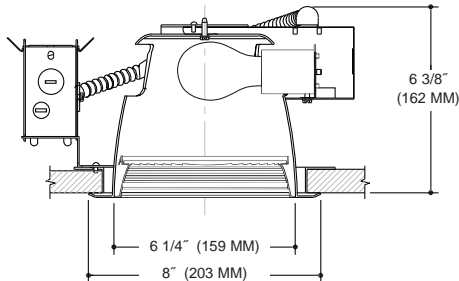
Part #	Description
<b>Tempered C73 Prismatic Lens</b>	
AH630SPCL	Specular Clear <i>Alzak</i> ® Splay
AH630WH	Matte White Splay
<b>Fresnel Lens</b>	
AH632SPCL	Specular Clear " <i>Alzak</i> ® Splay
AH632WH	Matte White Splay
<b>Tempered Clear Lens</b>	
AH636SPCL	Specular Clear <i>Alzak</i> ® Splay
AH636WH	Matte White Splay
More Color Options Available See Page 16	
Factory Standard is a Low Iridescent <i>Alzak</i> ® finish	
<i>Alzak</i> ® is a registered trademark of ALCOA	

### Accessories

PFL - Polish Flange	BFL - Matte Black Flange
FGSK - Flange Gasket	



## ENCLOSED BAFFLED LENS REFLECTOR



Aperture: 6 1/4", Ceiling Cutout: 6 1/2", OD: 8"

Single piece hand spun low iridescent *Alzak*® reflector with 45° cutoff to lamp. Factory standard self trim flange with a white finish

Prewired aluminum junction box listed for through branch circuit wiring with 1/2" & 3/4" pryouts.

Adjustable universal aluminum mounting ears supplied which will accept most mounting bars including c-channel.

UL listed thermal protector cutout.

Fixture tested and rated for use in M.R.I rooms.  
Ceiling insulation must be kept 3" away from housing.  
Listed for damp locations and wet locations under covered canopy.

### Housing

Part #	Description
MRI Incandescent	
AH6MRI	6" 100W Max. Incandescent

**Suitable Lamp Types:**  
A19/A21

### Trim

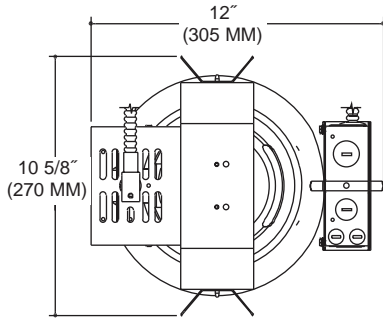
Part #	Description
<b>Tempered C73 Prismatic Lens</b>	
AH660SPCL	Black Multi Groove Baffle Splay
AH660WH	White Multi Groove Baffle Splay
<b>Fresnel Lens</b>	
AH662SPCL	Black Multi Groove Baffle Splay
AH662WH	White Multi Groove Baffle Splay
<b>Tempered Clear Lens</b>	
AH666SPCL	Black Multi Groove Baffle Splay
AH666WH	White Multi Groove Baffle Splay
More Color Options Available See Page 16	
Factory Standard is a Low Iridescent <i>Alzak</i> ® finish	
<i>Alzak</i> ® is a registered trademark of ALCOA	

### Accessories

FGSK - Flange Gasket	BFL - Matte Black Flange
----------------------	--------------------------



6" Horizontal MRI Incandescent



Additional Product Info

Reflector

Single piece hand spun low iridescent Alzak® reflector with standard self trim flange and a white trim finish. 45° Lamp cutoff allows for a better visual cutoff than generally available.

High Polish flange, white and black trim finish's available consult factory.

Socket

UL Listed, 4K porcelain socket.

Frame

Prewired aluminum junction box listed for through branch circuit wiring with 1/2" & 3/4" pryouts.

Thermally protected 120V thermal cutout factory wired.

Housing accommodates any ceilings with a max. thickness of 1 3/4"

Frame Options

CFM - Custom Frame Modifications (*consult factory*)  
 SA\*\* - Slope Ceiling Adaptor (*white finish standard*)

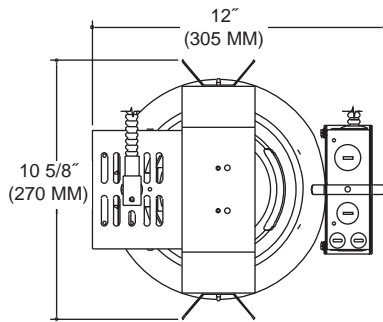
\*\* - specify slope degrees in 5° increments up to 45°

Trim Options

GR - Goof Ring\*

\* - specify I.D. and O.D. standard white finish

6" Horizontal MRI Incandescent



Additional Product Info

Reflector

Single piece hand spun low iridescent Alzak® reflector with standard self trim flange and a white trim finish. 45° Lamp cutoff allows for a better visual cutoff than generally available.

Socket

UL Listed, 4K porcelain socket.

Frame

Prewired aluminum junction box listed for through branch circuit wiring with 1/2" & 3/4" pryouts.

Thermally protected 120V thermal cutout factory wired.

Housing accommodates any ceilings with a max. thickness of 1 3/4"

Frame Options

CFM - Custom Frame Modifications (*consult factory*)  
 SA\*\* - Slope Ceiling Adaptor (*white finish standard*)

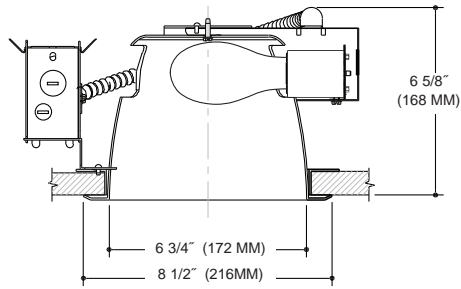
\*\* - specify slope degrees in 5° increments up to 45°

Trim Options

GR - Goof Ring\*

\* - specify I.D. and O.D. standard white finish

## OPEN REFLECTOR



Aperture: 6 3/4", Ceiling Cutout: 7", OD: 8 1/2"

### Housing

Part #	Description
MRI Incandescent	
AH7MRI	7" 150W Max. Incandescent

**Suitable Lamp Types:**  
A19/A21

### Trim

Part #	Description
AH710SPCL	Specular Clear Alzak® Reflector
AH710SPGO	Specular Gold Alzak® Reflector
AH710SPWT	Specular Wheat Alzak® Reflector
AH710SPPW	Specular Pewter Alzak® Reflector
AH710SPUM	Specular Umber Alzak® Reflector
AH710SPBL	Specular Black Alzak® Reflector
AH710WH	Matte White Reflector

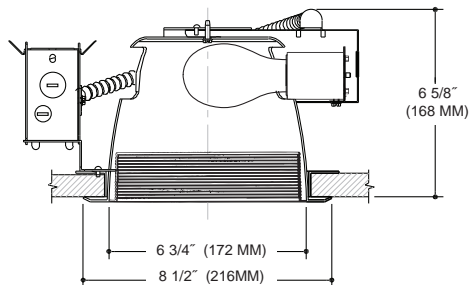
More Color Options Available See Page 16  
Factory Standard is a Low Iridescent Alzak® finish  
Alzak® is a registered trademark of ALCOA

### Accessories

PFL - Polish Flange	BFL - Matte Black Flange
FGSK - Flange Gasket	



## OPEN BAFFLE REFLECTOR



Aperture: 6 3/4", Ceiling Cutout: 7", OD: 8 1/2"

### Housing

Part #	Description
MRI Incandescent	
AH7MRI	7" 150W Max. Incandescent

**Suitable Lamp Types:**  
A19/A21

### Trim

Part #	Description
<b>Black Multi-Groove Baffle</b>	
AH721SPCL	Specular Clear Alzak® Reflector
AH721SPGO	Specular Gold Alzak® Reflector
AH721WH	Matte White Reflector
<b>White Multi-Groove Baffle</b>	
AH722SPCL	Specular Clear Alzak® Reflector
AH722SPGO	Specular Gold Alzak® Reflector
AH722WH	Matte White Reflector

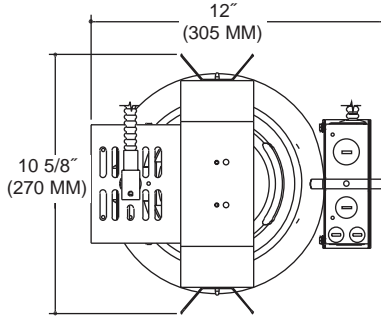
More Color Options Available See Page 16  
Factory Standard is a Low Iridescent Alzak® finish  
Alzak® is a registered trademark of ALCOA

### Accessories

PFL - Polish Flange	BFL - Matte Black Flange
FGSK - Flange Gasket	



## 7" Horizontal MRI Incandescent



### Additional Product Info

#### Reflector

Single piece hand spun low iridescent Alzak® reflector with standard self trim flange and a white trim finish. 45° Lamp cutoff allows for a better visual cutoff than generally available.

High Polish flange, white and black trim finish's available consult factory.

#### Socket

UL Listed, 4K porcelain socket.

#### Frame

Prewired aluminum junction box listed for through branch circuit wiring with 1/2" & 3/4" pryouts.

Thermally protected 120V thermal cutout factory wired.

Housing accommodates any ceilings with a max. thickness of 1 3/4"

### Frame Options

**CFM** - Custom Frame Modifications (*consult factory*)  
**SA\*\*** - Slope Ceiling Adaptor (*white finish standard*)

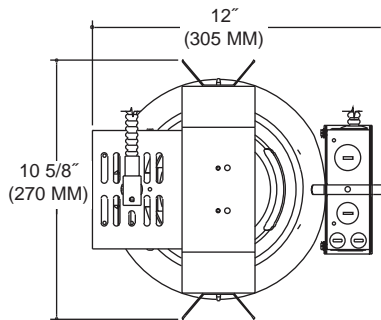
\*\* - specify slope degrees in 5° increments up to 45°

### Trim Options

**GR** - Goof Ring\*

\* - specify I.D. and O.D. standard white finish

## 7" Horizontal MRI Incandescent



### Additional Product Info

#### Reflector

Single piece hand spun low iridescent Alzak® reflector with standard self trim flange and a white trim finish. 45° Lamp cutoff allows for a better visual cutoff than generally available.

High Polish flange, white and black trim finish's available consult factory.

#### Socket

UL Listed, 4K porcelain socket.

#### Frame

Prewired aluminum junction box listed for through branch circuit wiring with 1/2" & 3/4" pryouts.

Thermally protected 120V thermal cutout factory wired.

Housing accommodates any ceilings with a max. thickness of 1 3/4"

### Frame Options

**CFM** - Custom Frame Modifications (*consult factory*)  
**SA\*\*** - Slope Ceiling Adaptor (*white finish standard*)

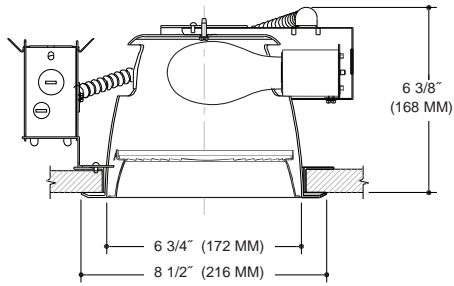
\*\* - specify slope degrees in 5° increments up to 45°

### Trim Options

**GR** - Goof Ring\*

\* - specify I.D. and O.D. standard white finish

## ENCLOSED LENS REFLECTOR



Aperture: 6 3/4", Ceiling Cutout: 7", OD: 8 1/2"

### Housing

Part #	Description
MRI Incandescent	
AH7MRI	- 7" 100W Max. Incandescent

Suitable Lamp Types:  
A19/A21

### Trim

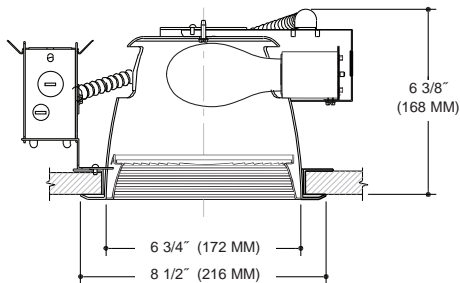
Part #	Description
<b>Tempered C73 Prismatic Lens</b>	
AH730SPCL	- Specular Clear <i>Alzak</i> ® Splay
AH730WH	- Matte White Splay
<b>Fresnel Lens</b>	
AH732SPCL	- Specular Clear <i>Alzak</i> ® Splay
AH732WH	- Matte White Splay
<b>Tempered Clear Lens</b>	
AH736SPCL	- Specular Clear <i>Alzak</i> ® Splay
AH736WH	- Matte White Splay
More Color Options Available See Page 16	
Factory Standard is a Low Iridescent <i>Alzak</i> ® finish	
<i>Alzak</i> ® is a registered trademark of ALCOA	

#### Accessories

PFL - Polish Flange      BFL - Matte Black Flange  
FGSK - Flange Gasket



## ENCLOSED BAFFLED LENS REFLECTOR



Aperture: 6 3/4", Ceiling Cutout: 7", OD: 8 1/2"

### Housing

Part #	Description
MRI Incandescent	
AH7MRI	- 7" 100W Max. Incandescent

Suitable Lamp Types:  
A19/A21

### Trim

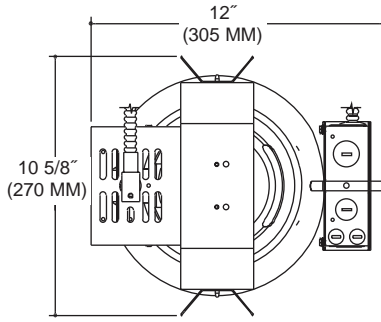
Part #	Description
<b>Tempered C73 Prismatic Lens</b>	
AH760SPCL	- Black Multi Groove Baffle Splay
AH760WH	- White Multi Groove Baffle Splay
<b>Fresnel Lens</b>	
AH762SPCL	- Black Multi Groove Baffle Splay
AH762WH	- White Multi Groove Baffle Splay
<b>Tempered Clear Lens</b>	
AH766SPCL	- Black Multi Groove Baffle Splay
AH766WH	- White Multi Groove Baffle Splay
More Color Options Available See Page 16	
Factory Standard is a Low Iridescent <i>Alzak</i> ® finish	
<i>Alzak</i> ® is a registered trademark of ALCOA	

#### Accessories

FGSK - Flange Gasket      BFL - Matte Black Flange



## 7" Horizontal MRI Incandescent



### Additional Product Info

#### Reflector

Single piece hand spun low iridescent Alzak® reflector with standard self trim flange and a white trim finish. 45° Lamp cutoff allows for a better visual cutoff than generally available.

High Polish flange, white and black trim finish's available consult factory.

#### Socket

UL Listed, 4K porcelain socket.

#### Frame

Prewired aluminum junction box listed for through branch circuit wiring with 1/2" & 3/4" pryouts.

Thermally protected 120V thermal cutout factory wired.

Housing accommodates any ceilings with a max. thickness of 1 3/4"

### Frame Options

**CFM** - Custom Frame Modifications (*consult factory*)  
**SA\*\*** - Slope Ceiling Adaptor (*white finish standard*)

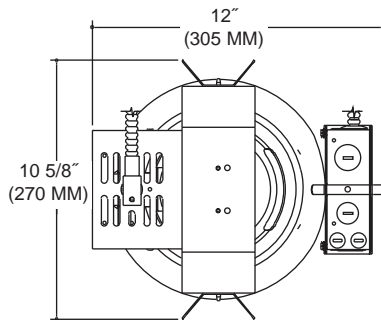
\*\* - specify slope degrees in 5° increments up to 45°

### Trim Options

**GR** - Goof Ring\*

\* - specify I.D. and O.D. standard white finish

## 7" Horizontal MRI Incandescent



### Additional Product Info

#### Reflector

Single piece hand spun low iridescent Alzak® reflector with standard self trim flange and a white trim finish. 45° Lamp cutoff allows for a better visual cutoff than generally available.

#### Socket

UL Listed, 4K porcelain socket.

#### Frame

Prewired aluminum junction box listed for through branch circuit wiring with 1/2" & 3/4" pryouts.

Thermally protected 120V thermal cutout factory wired.

Housing accommodates any ceilings with a max. thickness of 1 3/4"

### Frame Options

**CFM** - Custom Frame Modifications (*consult factory*)  
**SA\*\*** - Slope Ceiling Adaptor (*white finish standard*)

\*\* - specify slope degrees in 5° increments up to 45°

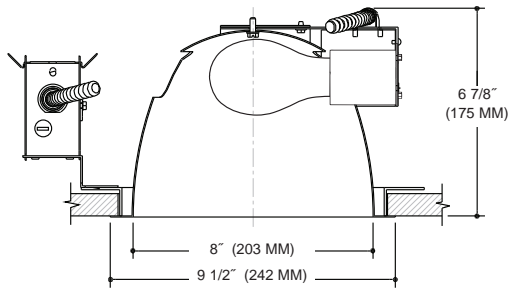
### Trim Options

**GR** - Goof Ring\*

\* - specify I.D. and O.D. standard white finish



## OPEN REFLECTOR



Aperture: 8", Ceiling Cutout: 8 1/4", OD: 9 1/2"

Single piece hand spun low iridescent *Alzak*® reflector with 45° cutoff to lamp. Factory standard self trim flange with a white finish

Prewired aluminum junction box listed for through branch circuit wiring with 1/2" & 3/4" pryouts.

Adjustable universal aluminum mounting ears supplied which will accept most mounting bars including c-channel.

UL listed thermal protector cutout.

Fixture tested and rated for use in M.R.I rooms.  
Ceiling insulation must be kept 3" away from housing.  
Listed for damp locations and wet locations under covered canopy.

### Housing

Part #	Description
MRI Incandescent	
AH8MRI	8" 200W Max. Incandescent

**Suitable Lamp Types:**  
A19/A21/A23

### Trim

Part #	Description
AH810SPCL	Specular Clear <i>Alzak</i> ® Reflector
AH810SPGO	Specular Gold <i>Alzak</i> ® Reflector
AH810SPWT	Specular Wheat <i>Alzak</i> ® Reflector
AH810SPPW	Specular Pewter <i>Alzak</i> ® Reflector
AH810SPUM	Specular Umber <i>Alzak</i> ® Reflector
AH810SPBL	Specular Black <i>Alzak</i> ® Reflector
AH810WH	Matte White Reflector

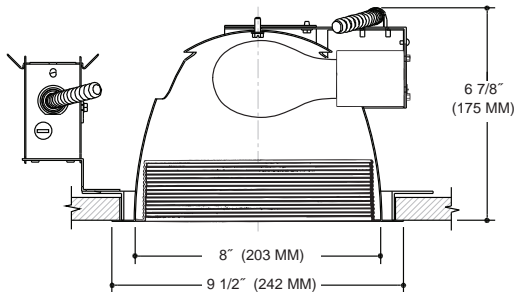
More Color Options Available See Page 16  
Factory Standard is a Low Iridescent *Alzak*® finish  
*Alzak*® is a registered trademark of ALCOA

#### Accessories

PFL - Polish Flange	BFL - Matte Black Flange
FGSK - Flange Gasket	



## OPEN BAFFLE REFLECTOR



Aperture: 8", Ceiling Cutout: 8 1/4", OD: 9 1/2"

Single piece hand spun low iridescent *Alzak*® reflector with 45° cutoff to lamp. Factory standard self trim flange with a white finish

Prewired aluminum junction box listed for through branch circuit wiring with 1/2" & 3/4" pryouts.

Adjustable universal aluminum mounting ears supplied which will accept most mounting bars including c-channel.

UL listed thermal protector cutout.

Fixture tested and rated for use in M.R.I rooms.  
Ceiling insulation must be kept 3" away from housing.  
Listed for damp locations and wet locations under covered canopy.

### Housing

Part #	Description
MRI Incandescent	
AH8MRI	8" 200W Max. Incandescent

**Suitable Lamp Types:**  
A19/A21/A23

### Trim

Part #	Description
<b>Black Multi-Groove Baffle</b>	
AH821SPCL	Specular Clear <i>Alzak</i> ® Reflector
AH821SPGO	Specular Gold <i>Alzak</i> ® Reflector
AH821WH	Matte White Reflector
<b>White Multi-Groove Baffle</b>	
AH822SPCL	Specular Clear <i>Alzak</i> ® Reflector
AH822SPGO	Specular Gold <i>Alzak</i> ® Reflector
AH822WH	Matte White Reflector

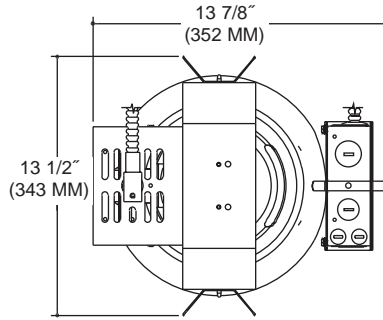
More Color Options Available See Page 16  
Factory Standard is a Low Iridescent *Alzak*® finish  
*Alzak*® is a registered trademark of ALCOA

#### Accessories

PFL - Polish Flange	BFL - Matte Black Flange
FGSK - Flange Gasket	



## 8" Horizontal MRI Incandescent



### Additional Product Info

#### Reflector

Single piece hand spun low iridescent Alzak® reflector with standard self trim flange and a white trim finish. 45° Lamp cutoff allows for a better visual cutoff than generally available.

High Polish flange, white and black trim finish's available consult factory.

#### Socket

UL Listed, 4K porcelain socket.

#### Frame

Prewired aluminum junction box listed for through branch circuit wiring with 1/2" & 3/4" pryouts.

Thermally protected 120V thermal cutout factory wired.

Housing accommodates any ceilings with a max. thickness of 1 3/4"

### Frame Options

**CFM** - Custom Frame Modifications (*consult factory*)  
**SA\*\*** - Slope Ceiling Adaptor (*white finish standard*)

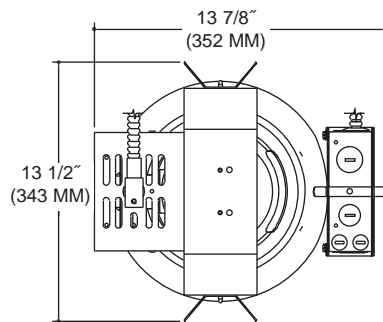
\*\* - specify slope degrees in 5° increments up to 45°

### Trim Options

**GR** - Goof Ring\*

\* - specify I.D. and O.D. standard white finish

## 8" Horizontal MRI Incandescent



### Additional Product Info

#### Reflector

Single piece hand spun low iridescent Alzak® reflector with standard self trim flange and a white trim finish. 45° Lamp cutoff allows for a better visual cutoff than generally available.

High Polish flange, white and black trim finish's available consult factory.

#### Socket

UL Listed, 4K porcelain socket.

#### Frame

Prewired aluminum junction box listed for through branch circuit wiring with 1/2" & 3/4" pryouts.

Thermally protected 120V thermal cutout factory wired.

Housing accommodates any ceilings with a max. thickness of 1 3/4"

### Frame Options

**CFM** - Custom Frame Modifications (*consult factory*)  
**SA\*\*** - Slope Ceiling Adaptor (*white finish standard*)

\*\* - specify slope degrees in 5° increments up to 45°

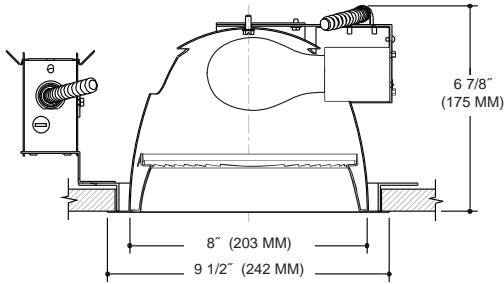
### Trim Options

**GR** - Goof Ring\*

\* - specify I.D. and O.D. standard white finish



## ENCLOSED LENS REFLECTOR



Aperture: 8", Ceiling Cutout: 8 1/4", OD: 9 1/2"

Single piece hand spun low iridescent *Alzak*® reflector with 45° cutoff to lamp. Factory standard self trim flange with a white finish

Prewired aluminum junction box listed for through branch circuit wiring with 1/2" & 3/4" pryouts.

Adjustable universal aluminum mounting ears supplied which will accept most mounting bars including c-channel.

UL listed thermal protector cutout.

Fixture tested and rated for use in M.R.I rooms.  
Ceiling insulation must be kept 3" away from housing.  
Listed for damp locations and wet locations under covered canopy.

### Housing

Part #	Description
MRI Incandescent	
AH8MRI - 8"	150W Max. Incandescent

Suitable Lamp Types:  
A19/A21/A23

### Trim

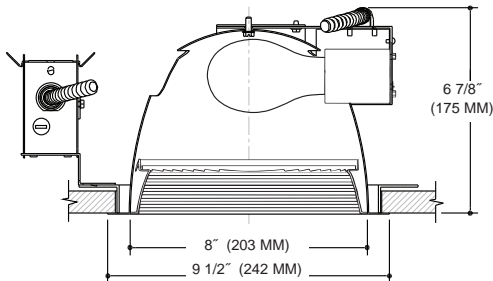
Part #	Description
<b>Tempered C73 Prismatic Lens</b>	
AH830SPCL	- Specular Clear <i>Alzak</i> ® Splay
AH830WH	- Matte White Splay
<b>Fresnel Lens</b>	
AH832SPCL	- Specular Clear <i>Alzak</i> ® Splay
AH832WH	- Matte White Splay
<b>Tempered Clear Lens</b>	
AH836SPCL	- Specular Clear <i>Alzak</i> ® Splay
AH836WH	- Matte White Splay
More Color Options Available See Page 16	
Factory Standard is a Low Iridescent <i>Alzak</i> ® finish	
<i>Alzak</i> ® is a registered trademark of ALCOA	

### Accessories

PFL - Polish Flange	BFL - Matte Black Flange
FGSK - Flange Gasket	



## ENCLOSED BAFFLED LENS REFLECTOR



Aperture: 8", Ceiling Cutout: 8 1/4", OD: 9 1/2"

Single piece hand spun low iridescent *Alzak*® reflector with 45° cutoff to lamp. Factory standard self trim flange with a white finish

Prewired aluminum junction box listed for through branch circuit wiring with 1/2" & 3/4" pryouts.

Adjustable universal aluminum mounting ears supplied which will accept most mounting bars including c-channel.

UL listed thermal protector cutout.

Fixture tested and rated for use in M.R.I rooms.  
Ceiling insulation must be kept 3" away from housing.  
Listed for damp locations and wet locations under covered canopy.

### Housing

Part #	Description
MRI Incandescent	
AH8MRI - 8"	150W Max. Incandescent

Suitable Lamp Types:  
A19/A21/A23

### Trim

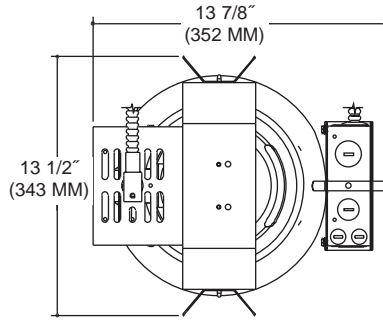
Part #	Description
<b>Tempered C73 Prismatic Lens</b>	
AH860SPCL	- Black Multi Groove Baffle Splay
AH860WH	- White Multi Groove Baffle Splay
<b>Fresnel Lens</b>	
AH862SPCL	- Black Multi Groove Baffle Splay
AH862WH	- White Multi Groove Baffle Splay
<b>Tempered Clear Lens</b>	
AH866SPCL	- Black Multi Groove Baffle Splay
AH866WH	- White Multi Groove Baffle Splay
More Color Options Available See Page 16	
Factory Standard is a Low Iridescent <i>Alzak</i> ® finish	
<i>Alzak</i> ® is a registered trademark of ALCOA	

### Accessories

FGSK - Flange Gasket	BFL - Matte Black Flange
----------------------	--------------------------



## 8" Horizontal MRI Incandescent



### Additional Product Info

#### Reflector

Single piece hand spun low iridescent Alzak® reflector with standard self trim flange and a white trim finish. 45° Lamp cutoff allows for a better visual cutoff than generally available.

High Polish flange, white and black trim finish's available consult factory.

#### Socket

UL Listed, 4K porcelain socket.

#### Frame

Prewired aluminum junction box listed for through branch circuit wiring with 1/2" & 3/4" pryouts.

Thermally protected 120V thermal cutout factory wired.

Housing accommodates any ceilings with a max. thickness of 1 3/4"

### Frame Options

**CFM** - Custom Frame Modifications (*consult factory*)  
**SA\*\*** - Slope Ceiling Adaptor (*white finish standard*)

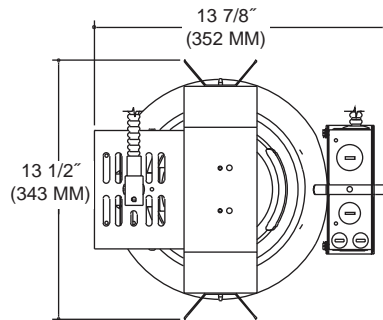
\*\* - specify slope degrees in 5° increments up to 45°

### Trim Options

**GR** - Goof Ring\*

\* - specify I.D. and O.D. standard white finish

## 8" Horizontal MRI Incandescent



### Additional Product Info

#### Reflector

Single piece hand spun low iridescent Alzak® reflector with standard self trim flange and a white trim finish. 45° Lamp cutoff allows for a better visual cutoff than generally available.

#### Socket

UL Listed, 4K porcelain socket.

#### Frame

Prewired aluminum junction box listed for through branch circuit wiring with 1/2" & 3/4" pryouts.

Thermally protected 120V thermal cutout factory wired.

Housing accommodates any ceilings with a max. thickness of 1 3/4"

### Frame Options

**CFM** - Custom Frame Modifications (*consult factory*)  
**SA\*\*** - Slope Ceiling Adaptor (*white finish standard*)

\*\* - specify slope degrees in 5° increments up to 45°

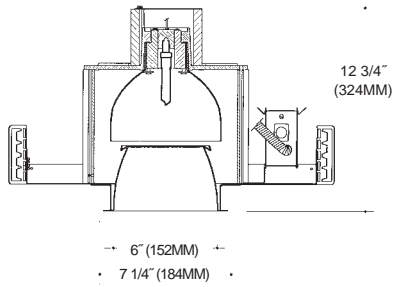
### Trim Options

**GR** - Goof Ring\*

\* - specify I.D. and O.D. standard white finish



## ENCLOSED LENS REFLECTOR



Aperture: 6", Ceiling Cutout: 6 1/4", OD: 7 1/4"

### Housing

Part #	Description
<b>Quartz Halogen T4</b>	
AV6T4Q100X	- 6" 100W (1) lamp 120V
AV6T4Q150X	- 6" 150W (1) lamp 120V

#### X - Lamp Distribution

N - Narrow    M - Medium    W - Wide

#### Suitable Lamp Types:

Single ended T4 mini-can screw in base lamp

Single piece low iridescent *Alzak*® upper ellipsoidal reflector with a 45° cutoff to lamp. Lower reflector supplied with high temperature borofloat safety glass. Factory standard self trim flange with a white finish.

.125 extruded aluminum finned heatsink housing capped with a .250 cast aluminum finned cover.

Prewired electrogalvanized heavy steel junction box listed for through branch circuit wiring with 1/2" & 3/4" pryouts.

Adjustable universal aluminum mounting ears supplied which will accept most mounting bars including c-channel.

UL listed thermal protector cutout.

Ceiling insulation must be kept 3" away from housing.  
Listed for damp locations and wet locations under covered canopy.

### Trim

Part #	Description
<b>Tempered Borofloat Clear Lens</b>	
AV620SPCL	- Specular Clear <i>Alzak</i> ® Reflector
AV620SPGO	- Specular Gold <i>Alzak</i> ® Reflector
AV620WH	- Matte White Reflector

More Color Options Available See Page 16  
Factory Standard is a Low Iridescent *Alzak*® finish  
*Alzak*® is a registered trademark of ALCOA

#### Accessories

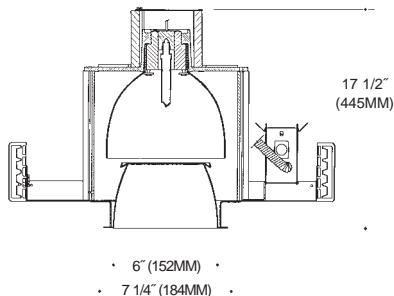
ST277 - Step Down Transformer (277:115)

BFL - Matte Black Flange

FS - Fuse



## ENCLOSED LENS REFLECTOR



Aperture: 6", Ceiling Cutout: 6 1/4", OD: 7 1/4"

### Housing

Part #	Description
<b>Quartz Halogen T4</b>	
AV6T4Q250X	- 6" 250W (1) lamp 120V
AV6T4Q500X	- 6" 500W (1) lamp 120V

#### X - Lamp Distribution

N - Narrow    M - Medium    W - Wide

#### Suitable Lamp Types:

Single ended T4 mini-can screw in base lamp

Single piece low iridescent *Alzak*® upper ellipsoidal reflector with a 45° cutoff to lamp. Lower reflector supplied with high temperature borofloat safety glass. Factory standard self trim flange with a white finish.

.125 extruded aluminum finned heatsink housing capped with a .250 cast aluminum finned cover.

Prewired electrogalvanized heavy steel junction box listed for through branch circuit wiring with 1/2" & 3/4" pryouts.

Adjustable universal aluminum mounting ears supplied which will accept most mounting bars including c-channel.

UL listed thermal protector cutout.

Ceiling insulation must be kept 3" away from housing.  
Listed for damp locations and wet locations under covered canopy.

### Trim

Part #	Description
<b>Tempered Borofloat Clear Lens</b>	
AV620SPCL	- Specular Clear <i>Alzak</i> ® Reflector
AV620SPGO	- Specular Gold <i>Alzak</i> ® Reflector
AV620WH	- Matte White Reflector

More Color Options Available See Page 16  
Factory Standard is a Low Iridescent *Alzak*® finish  
*Alzak*® is a registered trademark of ALCOA

#### Accessories

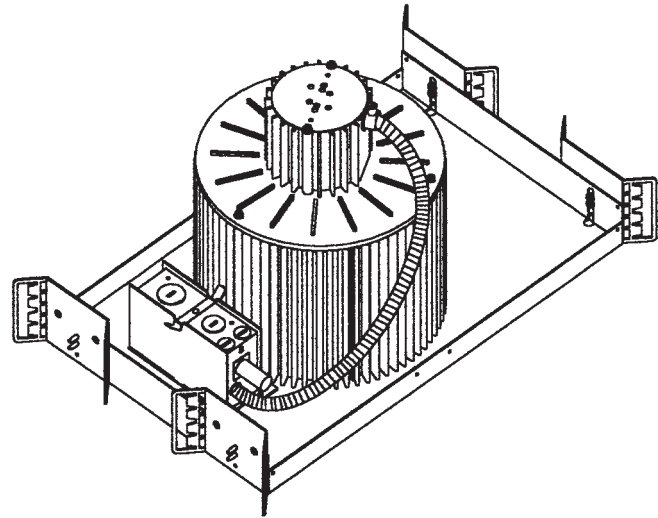
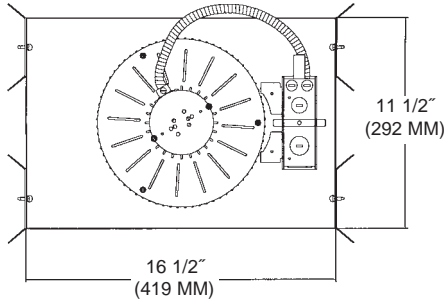
ST277 - Step Down Transformer (277:115)

BFL - Matte Black Flange

FS - Fuse



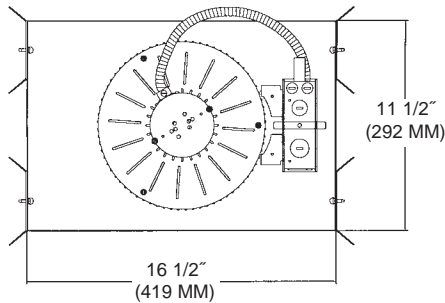
6" Vertical Quartz Halogen T4



Frame Options
<p><b>CFM</b> - Custom Frame Modifications (<i>consult factory</i>)  <b>SA**</b> - Slope Ceiling Adaptor (<i>white finish standard</i>)</p>
<p>** - specify slope degrees in 5° increments up to 45°</p>

Trim Options
<p><b>GR</b> - Goof Ring*</p>
<p>* - specify I.D. and O.D. standard white finish</p>

6" Vertical Quartz Halogen T4



Additional Product Info

**Reflector**

Single piece hand spun low iridescent Alzak® upper ellipsoidal reflector with standard self trim flange and a white trim finish. 45° Lamp cutoff allows for a better visual cutoff than generally available. Lower Reflector is supplied with a high temperature borofloat clear lens.

High Polish flange, white and black trim finish's available consult factory.

**Socket**

UL Listed, 4K high temperature porcelain mini-can socket.

**Frame**

.125" thick extruded aluminum heatsink housing with .75" thick heat dissipating fins for the highest heat dissipation possible. Housing capped with a .250" cast aluminum heatsink cover

Prewired electrogalvanized heavy steel junction box listed for through branch circuit wiring with 1/2" & 3/4" pryouts.

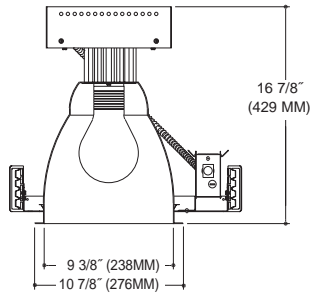
Thermally protected 120V thermal cutout factory wired.

Housing accommodates any ceilings with a max. thickness of 1 3/4"

Frame Options
<p><b>CFM</b> - Custom Frame Modifications (<i>consult factory</i>)  <b>SA**</b> - Slope Ceiling Adaptor (<i>white finish standard</i>)</p>
<p>** - specify slope degrees in 5° increments up to 45°</p>

Trim Options
<p><b>GR</b> - Goof Ring*</p>
<p>* - specify I.D. and O.D. standard white finish</p>

## OPEN REFLECTOR



Aperture: 9 3/8", Ceiling Cutout: 9 1/2", OD: 10 7/8"

### Housing

Part #	Description
<b>QL Induction 55W</b>	
AV10QLI55-1	10" 55W QL Induction 120V
AV10QLI55-2	10" 55W QL Induction 277V
<b>QL Induction 85W</b>	
AV10QLI85-1	10" 85W QL Induction 120V
AV10QLI85-2	10" 85W QL Induction 277V
<b>Suitable Lamp Types:</b>	
3000K lamp vessel factory standard	

### Trim

Part #	Description
AV1010SPCL	Specular Clear Alzak® Reflector
AV1010SPGO	Specular Gold Alzak® Reflector
AV1010SPWT	Specular Wheat Alzak® Reflector
AV1010SPPW	Specular Pewter Alzak® Reflector
AV1010SPUM	Specular Umber Alzak® Reflector
AV1010SPBL	Specular Black Alzak® Reflector
AV1010WH	Matte White Reflector

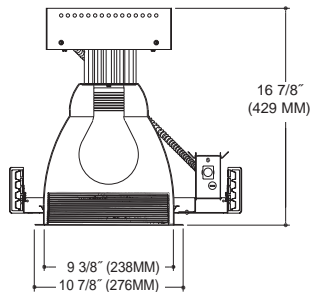
More Color Options Available See Page 16  
 Factory Standard is a Low Iridescent Alzak® finish  
 Alzak® is a registered trademark of ALCOA

### Accessories

27KLP	- 2700K Lamp Vessel	4KLP	- 4000K Lamp Vessel
CB517	- Caddy Bars (517)	CB520	- Caddy Bars (520)
FS	- Fuse		



## OPEN BAFFLE REFLECTOR



Aperture: 9 3/8", Ceiling Cutout: 9 1/2", OD: 10 7/8"

### Housing

Part #	Description
<b>QL Induction 55W</b>	
AV10QLI55-1	10" 55W QL Induction 120V
AV10QLI55-2	10" 55W QL Induction 277V
<b>QL Induction 85W</b>	
AV10QLI85-1	10" 85W QL Induction 120V
AV10QLI85-2	10" 85W QL Induction 277V
<b>Suitable Lamp Types:</b>	
3000K lamp vessel factory standard	

### Trim

Part #	Description
<b>Black Multi-Groove Baffle</b>	
AV1021SPCL	Specular Clear Alzak® Reflector
AV1021SPGO	Specular Gold Alzak® Reflector
AV1021WH	Matte White Reflector
<b>White Multi-Groove Baffle</b>	
AV1022SPCL	Specular Clear Alzak® Reflector
AV1022SPGO	Specular Gold Alzak® Reflector
AV1022WH	Matte White Reflector

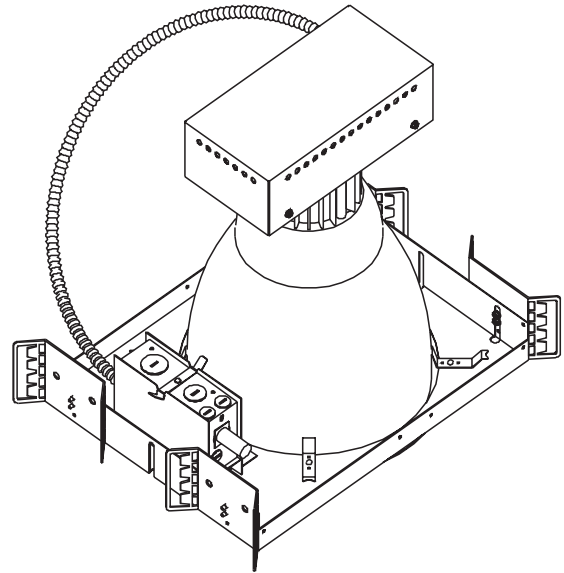
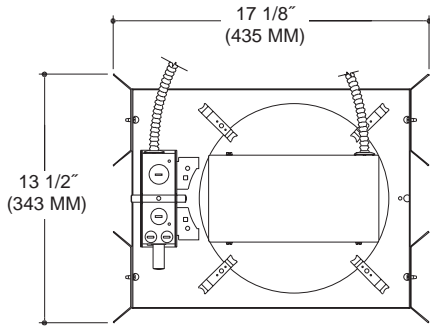
More Color Options Available See Page 16  
 Factory Standard is a Low Iridescent Alzak® finish  
 Alzak® is a registered trademark of ALCOA

### Accessories

27KLP	- 2700K Lamp Vessel	4KLP	- 4000K Lamp Vessel
CB517	- Caddy Bars (517)	CB520	- Caddy Bars (520)
FS	- Fuse		



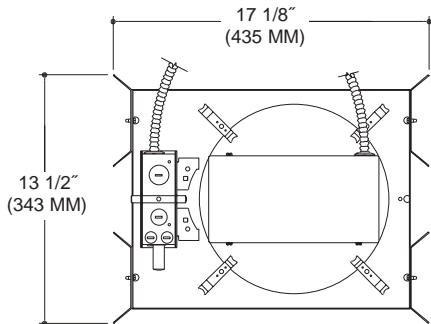
### 10" Vertical QL Induction



Frame Options
<p><b>CFM</b> - Custom Frame Modifications (<i>consult factory</i>)</p> <p><b>SA**</b> - Slope Ceiling Adaptor (<i>white finish standard</i>)</p>
<p>** - specify slope degrees in 5° increments up to 45°</p>

Trim Options
<p><b>PFL</b> - Polish Flange</p> <p><b>FGSK</b> - Flange Gasket</p> <p><b>GR</b> - Goof Ring*</p>
<p>* - specify I.D. and O.D. standard white finish</p>

### 10" Vertical QL Induction



#### Additional Product Info

##### Reflector

Single piece hand spun low iridescent Alzak® reflector with standard self trim flange and a white trim finish. 45° Lamp cutoff allows for a better visual cutoff than generally available.

High Polish flange, white and black trim finish's available consult factory.

##### Lamp

Vibration resistant lamp vessel with 100,000 hour lamp life. 3000K lamp coupler factory standard. Flicker free instant start lamp feature.

##### Generator

UL Listed, thermally protected instant start 2.65MHz HF generator with <10% THD 120/277 Volt.

##### Frame

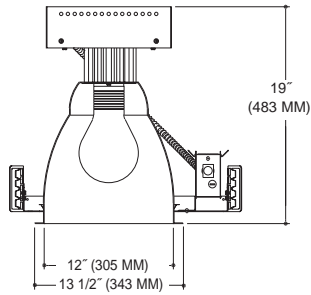
Heavy gauge steel housing with adjustable spring steel roto clips allowing for quick trim installation. Prewired electrogalvanized heavy steel junction box listed for through branch circuit wiring with 1/2" & 3/4" pryouts.

Frame Options
<p><b>CFM</b> - Custom Frame Modifications (<i>consult factory</i>)</p> <p><b>SA**</b> - Slope Ceiling Adaptor (<i>white finish standard</i>)</p>
<p>** - specify slope degrees in 5° increments up to 45°</p>

Trim Options
<p><b>PFL</b> - Polish Flange</p> <p><b>FGSK</b> - Flange Gasket</p> <p><b>GR</b> - Goof Ring*</p>
<p>* - specify I.D. and O.D. standard white finish</p>



## OPEN REFLECTOR



Aperture: 12", Ceiling Cutout: 12 1/4", OD: 13 1/2"

### Housing

Part #	Description
<b>QL Induction 85W</b>	
AV12QLI85-1	10" 85W QL Induction 120V
AV12QLI85-2	10" 85W QL Induction 277V
<b>QL Induction 165W</b>	
AV12QLI165-2	10" 165W QL Induction 277V
<b>Suitable Lamp Types:</b>	
3000K lamp vessel factory standard	

### Trim

Part #	Description
AV1210SPCL	Specular Clear Alzak® Reflector
AV1210SPGO	Specular Gold Alzak® Reflector
AV1210SPWT	Specular Wheat Alzak® Reflector
AV1210SPPW	Specular Pewter Alzak® Reflector
AV1210SPUM	Specular Umber Alzak® Reflector
AV1210SPBL	Specular Black Alzak® Reflector
AV1210WH	Matte White Reflector

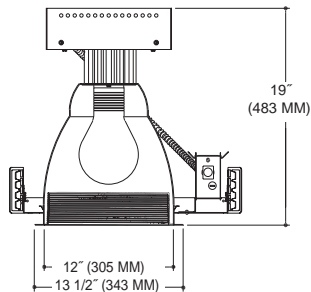
More Color Options Available See Page 16  
 Factory Standard is a Low Iridescent Alzak® finish  
 Alzak® is a registered trademark of ALCOA

### Accessories

27KLP	- 2700K Lamp Vessel	4KLP	- 4000K Lamp Vessel
CB517	- Caddy Bars (517)	CB520	- Caddy Bars (520)
FS	- Fuse		



## OPEN BAFFLE REFLECTOR



Aperture: 12", Ceiling Cutout: 12 1/4", OD: 13 1/2"

### Housing

Part #	Description
<b>QL Induction 85W</b>	
AV12QLI85-1	10" 85W QL Induction 120V
AV12QLI85-2	10" 85W QL Induction 277V
<b>QL Induction 165W</b>	
AV12QLI165-2	10" 165W QL Induction 277V
<b>Suitable Lamp Types:</b>	
3000K lamp vessel factory standard	

### Trim

Part #	Description
<b>Black Multi-Groove Baffle</b>	
AV1221SPCL	Specular Clear Alzak® Reflector
AV1221SPGO	Specular Gold Alzak® Reflector
AV1221WH	Matte White Reflector
<b>White Multi-Groove Baffle</b>	
AV1222SPCL	Specular Clear Alzak® Reflector
AV1222SPGO	Specular Gold Alzak® Reflector
AV1222WH	Matte White Reflector

More Color Options Available See Page 16  
 Factory Standard is a Low Iridescent Alzak® finish  
 Alzak® is a registered trademark of ALCOA

### Accessories

27KLP	- 2700K Lamp Vessel	4KLP	- 4000K Lamp Vessel
CB517	- Caddy Bars (517)	CB520	- Caddy Bars (520)
FS	- Fuse		

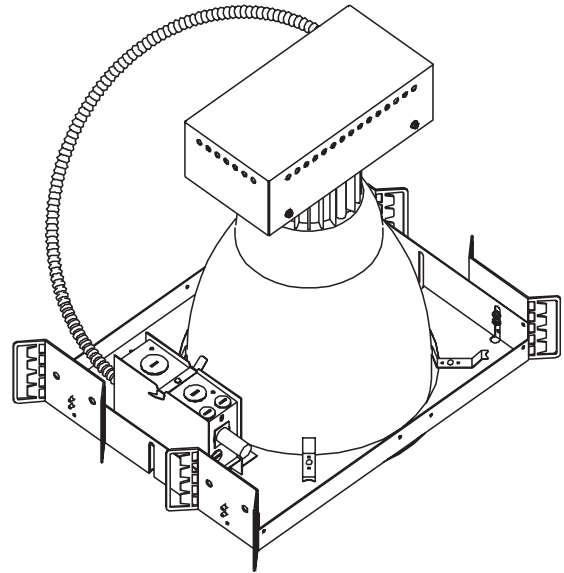
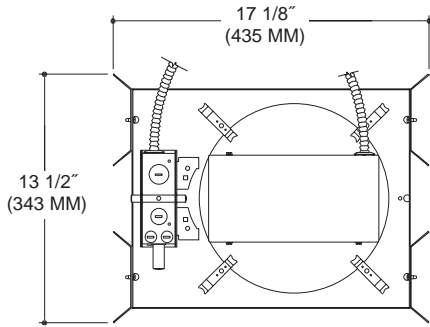


# 12"

Architectural Vertical QL Induction



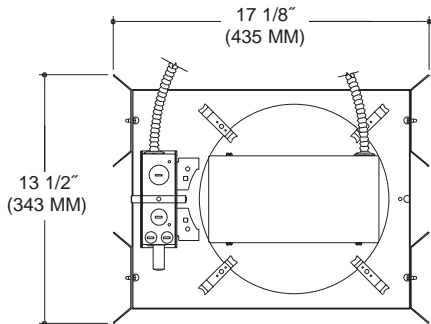
12" Vertical QL Induction



Frame Options
<b>CFM</b> - Custom Frame Modifications ( <i>consult factory</i> )

Trim Options
<b>PFL</b> - Polish Flange
<b>FGSK</b> - Flange Gasket
<b>GR</b> - Goof Ring*
* - specify I.D. and O.D. standard white finish

12" Vertical QL Induction



Additional Product Info

**Reflector**

Single piece hand spun low iridescent Alzak® reflector with standard self trim flange and a white trim finish. 45° Lamp cutoff allows for a better visual cutoff than generally available.

High Polish flange, white and black trim finish's available consult factory.

**Lamp**

Vibration resistant lamp vessel with 100,000 hour lamp life. 3000K lamp coupler factory standard. Flicker free instant start lamp feature.

**Generator**

UL Listed, thermally protected instant start 2.65MHz HF generator with <10% THD 120/277 Volt.

**Frame**

Heavy gauge steel housing with adjustable spring steel roto clips allowing for quick trim installation. Prewired electrogalvanized heavy steel junction box listed for through branch circuit wiring with 1/2" & 3/4" pryouts.

Frame Options
<b>CFM</b> - Custom Frame Modifications ( <i>consult factory</i> )

Trim Options
<b>PFL</b> - Polish Flange
<b>FGSK</b> - Flange Gasket
<b>GR</b> - Goof Ring*
* - specify I.D. and O.D. standard white finish

