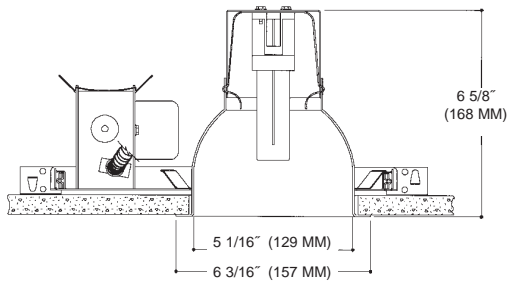


## SHALLOW OPEN REFLECTOR



Aperture: 5 1/16", Ceiling Cutout: 5 1/4", OD: 6 3/16"

### Housing

Part #	Description
<b>Electronic Universal Voltage Ballast</b>	
V5E113UV	- 5" 13W (1) lamp 120/277V
V5E118UV	- 5" 18W (1) lamp 120/277V
<b>Lamp Base:</b>	
<i>Electronic 4 Pin</i>	
13W G24Q-1	18W G24Q-2

### Trim

Part #	Description
VS510SPCL	- Specular Clear Alzak® Reflector
VS510SPGO	- Specular Gold Alzak® Reflector
VS510SPWT	- Specular Wheat Alzak® Reflector
VS510SPPW	- Specular Pewter Alzak® Reflector
VS510SPUM	- Specular Umber Alzak® Reflector
VS510SPBL	- Specular Black Alzak® Reflector
VS510SPWH	- Matte White

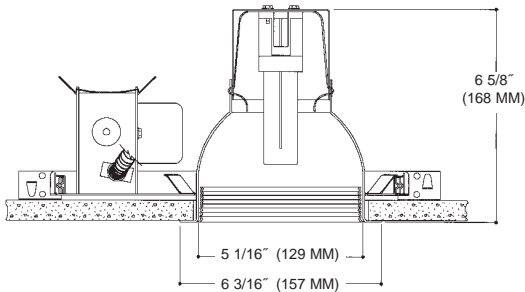
More Color Options Available See Page 6  
 Factory Standard is a Low Iridescent Alzak® finish  
 Alzak® is a registered trademark of ALCOA

### Accessories

EMG	- Emergency Battery Back up	LD	- Lutron Dimming Ballast	FS	- Fuse
ITEMG	- Internal Test Switch Emergency Battery	CB517	- Caddy Bars (517)		
AD7	- Advance Mark VII Dimming Ballast	CB520	- Caddy Bars (520)		
AD10	- Advance Mark X Dimming Ballast	RM	- Old Work Remodeler Housing		



## SHALLOW OPEN BAFFLE REFLECTOR



Aperture: 5 1/16", Ceiling Cutout: 5 1/4", OD: 6 3/16"

### Housing

Part #	Description
<b>Electronic Universal Voltage Ballast</b>	
V5E113UV	- 5" 13W (1) lamp 120/277V
V5E118UV	- 5" 18W (1) lamp 120/277V
<b>Lamp Base:</b>	
<i>Electronic 4 Pin</i>	
13W G24Q-1	18W G24Q-2

### Trim

Part #	Description
<b>Black Multi-Groove Baffle</b>	
VS521SPCL	- Specular Clear Alzak® Reflector
VS521SPGO	- Specular Gold Alzak® Reflector
VS521WH	- Matte White Reflector
<b>White Multi-Groove Baffle</b>	
VS522SPCL	- Specular Clear Alzak® Reflector
VS522SPGO	- Specular Gold Alzak® Reflector
VS522WH	- Matte White Reflector

More Color Options Available See Page 6  
 Factory Standard is a Low Iridescent Alzak® finish  
 Alzak® is a registered trademark of ALCOA

### Accessories

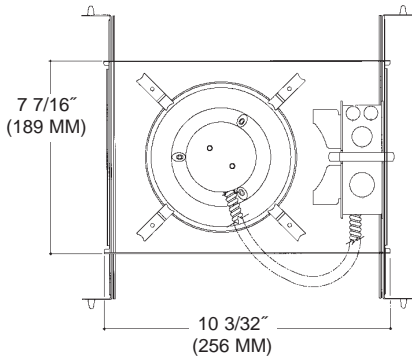
EMG	- Emergency Battery Back up	LD	- Lutron Dimming Ballast	FS	- Fuse
ITEMG	- Internal Test Switch Emergency Battery	CB517	- Caddy Bars (517)		
AD7	- Advance Mark VII Dimming Ballast	CB520	- Caddy Bars (520)		
AD10	- Advance Mark X Dimming Ballast	RM	- Old Work Remodeler Housing		



5"

Vertical Compact Fluorescent (Quad Lamp)

### 5" Vertical Compact Fluorescent

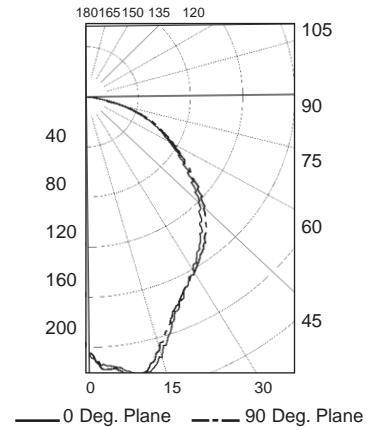


**Frame**  
**V5E113UV**

**Reflector**  
**VS510SPCL**

**LTL Test # 11210**

**Efficiency:** 57.9%  
**Total Lumens:** 900  
**Lamp Source:** 1x13W  
Sylvania CF13DD/E/835



#### Coefficients of Utilization

RC	80			70			50			30			10			0		
	RW	70	50	30	10	70	50	30	10	50	30	10	50	30	10	50	30	10
0	69	69	69	69	67	67	67	67	64	64	64	62	62	62	59	59	59	58
1	64	62	59	58	62	60	58	57	58	56	55	56	54	53	54	53	52	50
2	59	55	51	48	57	53	50	48	51	49	46	50	47	45	48	46	44	43
3	54	49	44	41	53	48	44	41	46	43	40	44	42	39	43	41	39	37
4	50	43	39	35	48	43	38	35	41	37	34	40	37	34	39	36	33	32
5	46	38	34	30	44	38	33	30	37	33	29	36	32	29	34	31	29	28
6	42	35	30	26	41	34	29	26	33	29	26	32	28	26	31	28	25	24
7	39	31	26	23	38	31	26	23	30	26	23	29	25	22	28	25	22	21
8	36	28	23	20	35	28	23	20	27	23	20	26	22	20	25	22	19	18
9	33	25	20	17	32	25	20	17	24	20	17	24	20	17	23	20	17	16
10	31	23	18	15	30	23	18	15	22	18	15	22	18	15	21	18	15	14

#### Cone of Light

Ft below	FC nadir	Dia @ 50%
6.0	5.7	7.1
8.0	3.2	9.5
10.0	2.0	11.9
12.0	1.4	14.2
14.0	1.0	16.6
16.0	0.8	19.0

#### Frame Options

- REM** - Remote Mount Emergency Battery
- RIF** - Radio Interference Filter
- PFR** - Plaster Frame Extender (for ceilings up to 2" thick)
- SA\*\*** - Slope Ceiling Adaptor (white finish standard)
- CFM** - Custom Frame Modifications (consult factory)

\*\* - specify slope degrees in 5° increments up to 45°

#### Trim Options

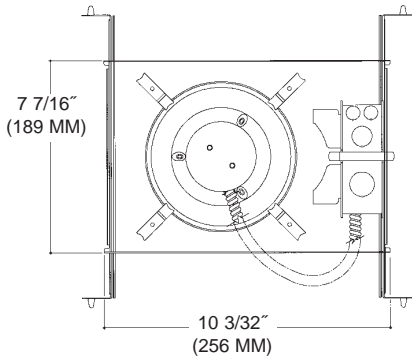
- PFL** - Polish Flange
- TLP** - Top Re-lamp Modifications
- FGSK** - Flange Gasket
- GR** - Goof Ring\*

\* - specify I.D. and O.D. standard white finish

#### Ballast Options

- H** - Magnetic HPF
- N** - Normal Power

### 5" Vertical Compact Fluorescent

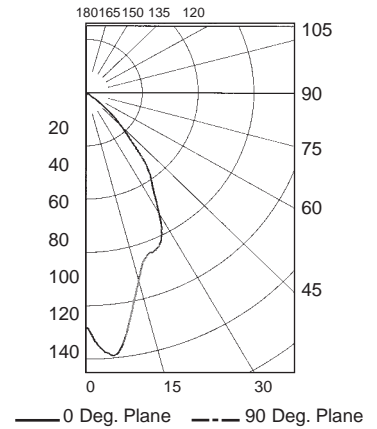


**Frame**  
**V5E113UV**

**Reflector**  
**VS521SPCL**

**LTL Test # 11211**

**Efficiency:** 26.4%  
**Total Lumens:** 900  
**Lamp Source:** 1x13W  
Sylvania CF13DD/E/835



#### Coefficients of Utilization

RC	80			70			50			30			10			0		
	RW	70	50	30	10	70	50	30	10	50	30	10	50	30	10	50	30	10
0	31	31	31	31	31	31	31	29	29	29	28	28	28	27	27	27	26	
1	30	29	28	28	29	28	28	27	27	27	26	26	26	25	25	25	24	
2	28	27	25	24	27	26	25	24	25	24	24	24	24	23	23	23	22	
3	26	24	23	22	26	24	23	22	23	22	21	23	22	21	22	21	20	
4	25	22	21	19	24	22	20	19	21	20	19	21	20	19	20	19	18	
5	23	20	19	17	23	20	18	17	20	18	17	19	18	17	19	18	16	
6	22	19	17	16	21	19	17	15	18	17	15	18	16	15	17	16	15	
7	20	17	15	14	20	17	15	14	17	15	14	16	15	14	16	15	14	
8	19	16	14	12	18	15	14	12	15	13	12	15	13	12	15	13	12	
9	17	14	12	11	17	14	12	11	14	12	11	13	12	11	13	12	11	
10	16	13	11	10	16	13	11	10	13	11	10	12	11	10	12	11	10	

#### Cone of Light

Ft below	FC nadir	Dia @ 50%
6.0	3.3	7.6
8.0	1.9	10.2
10.0	1.2	12.7
12.0	0.8	15.3
14.0	0.6	17.8
16.0	0.5	20.4

#### Frame Options

- REM** - Remote Mount Emergency Battery
- RIF** - Radio Interference Filter
- PFR** - Plaster Frame Extender (for ceilings up to 2" thick)
- SA\*\*** - Slope Ceiling Adaptor (white finish standard)
- CFM** - Custom Frame Modifications (consult factory)

\*\* - specify slope degrees in 5° increments up to 45°

#### Trim Options

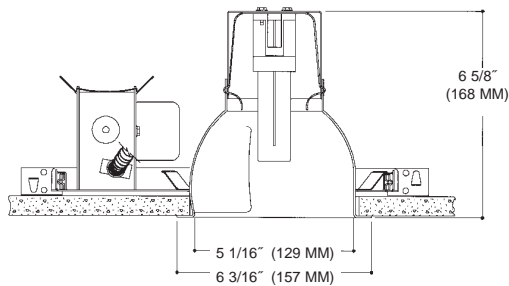
- PFL** - Polish Flange
- TLP** - Top Re-lamp Modifications
- FGSK** - Flange Gasket
- GR** - Goof Ring\*

\* - specify I.D. and O.D. standard white finish

#### Ballast Options

- H** - Magnetic HPF
- N** - Normal Power

## SHALLOW OPEN WALL WASH REFLECTOR



Aperture: 5 1/16", Ceiling Cutout: 6 1/4", OD: 6 3/16"

### Housing

Part #	Description
<b>Electronic Universal Voltage Ballast</b>	
V5E113UV	- 5" 13W (1) lamp 120/277V
V5E118UV	- 5" 18W (1) lamp 120/277V
<b>Lamp Base:</b>	
<i>Electronic 4 Pin</i>	
13W G24Q-1	18W G24Q-2

### Trim

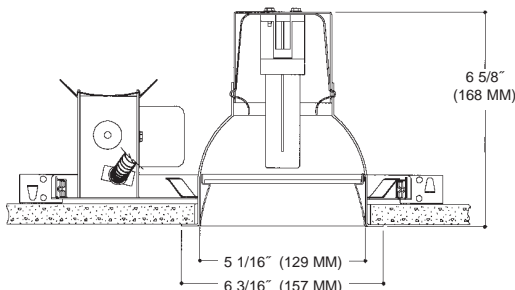
Part #	Description
<b>Single Wall Wash</b>	
VS580SPCL	- Specular Clear <i>Alzak</i> <sup>®</sup> Reflector
VS580SPGO	- Specular Gold <i>Alzak</i> <sup>®</sup> Reflector
VS580WH	- Matte White Reflector
<b>More Color Options Available See Page 6</b>	
<b>Factory Standard is a Low Iridescent <i>Alzak</i><sup>®</sup> finish</b>	
<i>Alzak</i> <sup>®</sup> is a registered trademark of ALCOA	

### Accessories

EMG	- Emergency Battery Back up	LD	- Lutron Dimming Ballast	FS	- Fuse
ITEMG	- Internal Test Switch Emergency Battery	CB517	- Caddy Bars (517)		
AD7	- Advance Mark VII Dimming Ballast	CB520	- Caddy Bars (520)		
AD10	- Advance Mark X Dimming Ballast	RM	- Old Work Remodeler Housing		



## SHALLOW ENCLOSED LENS REFLECTOR



Aperture: 5 1/16", Ceiling Cutout: 5 1/4", OD: 6 3/16"

### Housing

Part #	Description
<b>Electronic Universal Voltage Ballast</b>	
V5E113UV	- 5" 13W (1) lamp 120/277V
V5E118UV	- 5" 18W (1) lamp 120/277V
<b>Lamp Base:</b>	
<i>Electronic 4 Pin</i>	
13W G24Q-1	18W G24Q-2

### Trim

Part #	Description
<b>C73 Prismatic Lens</b>	
VS530SPCL	- Specular Clear <i>Alzak</i> <sup>®</sup> Reflector
VS530WH	- Matte White Splay
<b>Fresnel Lens</b>	
VS532SPCL	- Specular Clear <i>Alzak</i> <sup>®</sup> Reflector
VS532WH	- Matte White Splay
<b>More Color Options Available See Page 6</b>	
<b>Specular clear <i>Alzak</i><sup>®</sup> reflector housing factory standard</b>	
<i>Alzak</i> <sup>®</sup> is a registered trademark of ALCOA	

### Accessories

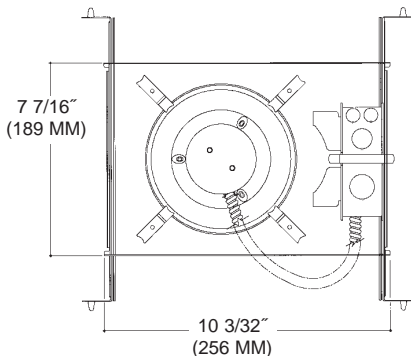
EMG	- Emergency Battery Back up	LD	- Lutron Dimming Ballast
AD7	- Advance Mark VII Dimming Ballast	CB517	- Caddy Bars (517)
AD10	- Advance Mark X Dimming Ballast	CB520	- Caddy Bars (520)
FS	- Fuse	RM	- Old Work Remodeler Housing



5"

Vertical Compact Fluorescent (Quad Lamp)

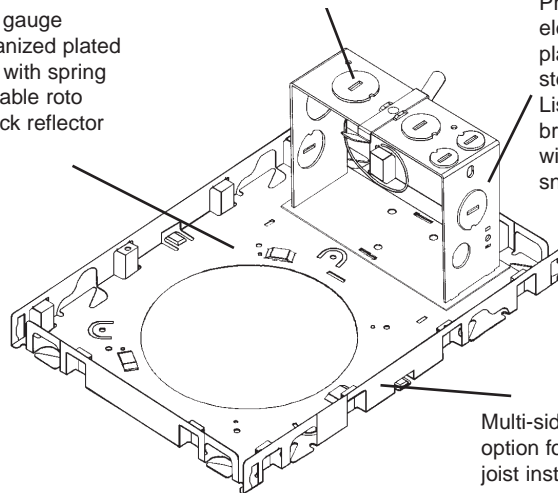
### 5" Vertical Shallow Compact Fluorescent



Heavy, .027 gauge electrogalvanized plated steel frame with spring steel adjustable roto clips for quick reflector installation.

Multiple 1/2" and 3/4" pryouts.

Prewired and grounded electrogalvanized plated heavy gauge steel junction box. Listed for through branch circuit wiring with two galvanized snap on covers



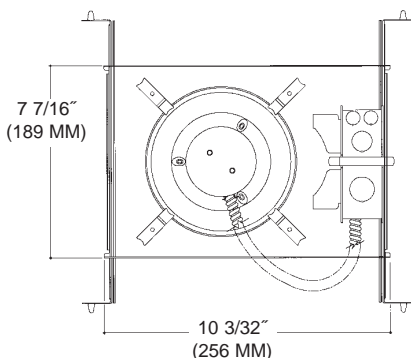
Multi-sided hanger bar option for various size joist installations.

Frame Options
<b>REM</b> - Remote Mount Emergency Battery <b>RIF</b> - Radio Interference Filter <b>PFR</b> - Plaster Frame Extender (for ceilings up to 2" thick) <b>SA**</b> - Slope Ceiling Adaptor (white finish standard) <b>CFM</b> - Custom Frame Modifications (consult factory)
** - specify slope degrees in 5° increments up to 45°

Trim Options
<b>PFL</b> - Polish Flange <b>TLP</b> - Top Re-lamp Modifications <b>FGSK</b> - Flange Gasket <b>GR</b> - Goof Ring*
* - specify I.D. and O.D. standard white finish

Ballast Options
<b>H</b> - Magnetic HPF <b>N</b> - Normal Power

### 5" Vertical Shallow Compact Fluorescent



#### Additional Product Info

##### Reflector

Single piece hand spun low iridescent Alzak® reflector with standard self trim flange and a white trim finish. 45° Lamp cutoff allows for a better visual cutoff then generally available.

High polish flange, white and black trim finish's available consult factory.

##### Socket

Aluminum, heat disipating socket cup vertically mounts to reflector by means of a firm locking adjustable husk clip. UL Listed, 2 pin or 4 pin high thermo plastic socket.

##### Ballast

UL Listed, thermally protected prograded start ballast with a reliability factor of -20° F and <10% THD. End of lamp life (EOL) shutdown circuit protected.

Ballast mounted to a galvanized snap on cover, mounted to junction box which is serviceable from below. Prograded Start (1.0-1.5 second without flicker) ballasts are designed to provide max. lamplife in frequent lamp starting applications.

##### Frame

Prewired electrogalvanized heavy steel junction box listed for through branch circuit wiring with 1/2" & 3/4" pryouts. Electrogalvanized plated steel housing with adjustable spring steel roto clips allowing for a quick trim installation.

Housing accomodates any ceilings with a max. thickness of 1 3/4"

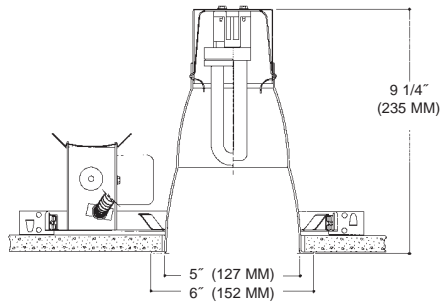
Same housing accomodates an open, lens, or wall wash reflector.

Frame Options
<b>REM</b> - Remote Mount Emergency Battery <b>RIF</b> - Radio Interference Filter <b>PFR</b> - Plaster Frame Extender (for ceilings up to 2" thick) <b>SA**</b> - Slope Ceiling Adaptor (white finish standard) <b>CFM</b> - Custom Frame Modifications (consult factory)
** - specify slope degrees in 5° increments up to 45°

Trim Options
<b>PFL</b> - Polish Flange <b>TLP</b> - Top Re-lamp Modifications <b>FGSK</b> - Flange Gasket <b>GR</b> - Goof Ring*
* - specify I.D. and O.D. standard white finish

Ballast Options
<b>H</b> - Magnetic HPF <b>N</b> - Normal Power

## MAXIMUM WATTAGE OPEN REFLECTOR



Aperture: 5", Ceiling Cutout: 5 1/4", OD: 6"

Single piece hand spun low iridescent *Alzak*<sup>®</sup> reflector with 45° cutoff to lamp. Factory standard self trim flange with a white finish.

UL listed, thermally protected ballast with a reliability factor of -20° F and <10% THD.

Ballast mounted to a galvanized snap on cover for easy access and removal.

Prewired electrogalvanized heavy steel junction box listed for through branch circuit wiring with 1/2" & 3/4" pryouts.

Electrogalvanized plated steel housing with adjustable spring steel roto clips allowing for a quick trim installation.

**Ceiling insulation must be kept 3" away from housing.**

**Listed for damp locations and wet locations under covered canopy.**

### Housing

Part #	Description
<b>Electronic Universal Voltage Ballast</b>	
V5E113UV	- 5" 13W (1) lamp 120/277V
V5E118UV	- 5" 18W (1) lamp 120/277V
V5E126UV	- 5" 26W (1) lamp 120/277V
V5E132UV	- 5" 32W (1) lamp 120/277V
V5E142UV	- 5" 42W (1) lamp 120/277V
<b>Lamp Base:</b>	
<i>Electronic 4 Pin</i>	
13W G24Q-1	18W G24Q-2 26W G24Q-3
32W GX24Q-3	42W GX24Q-4

### Trim

Part #	Description
V510SPCL	- Specular Clear "Alzak"
V510SPGO	- Specular Gold "Alzak"
V510SPWT	- Specular Wheat "Alzak"
V510SPPW	- Specular Pewter "Alzak"
V510SPUM	- Specular Umber "Alzak"
V510SPBL	- Specular Black "Alzak"
V510SPWH	- Matte White

More Color Options Available See Page 6

Factory Standard is a Low Iridescent *Alzak*<sup>®</sup> finish

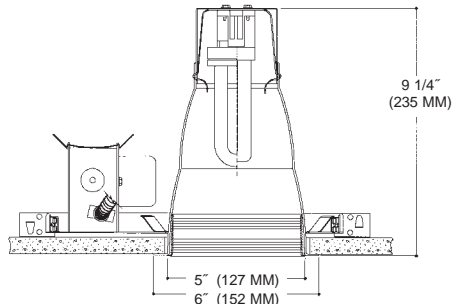
*Alzak*<sup>®</sup> is a registered trademark of ALCOA

### Accessories

EMG	- Emergency Battery Back up	LD	- Lutron Dimming Ballast	FS	- Fuse
ITEMG	- Internal Test Switch Emergency Battery	CB517	- Caddy Bars (517)		
AD7	- Advance Mark VII Dimming Ballast	CB520	- Caddy Bars (520)		
AD10	- Advance Mark X Dimming Ballast	RM	- Old Work Remodeler Housing		



## MAXIMUM WATTAGE OPEN BAFFLE REFLECTOR



Aperture: 5", Ceiling Cutout: 5 1/4", OD: 6"

Single piece hand spun low iridescent *Alzak*<sup>®</sup> reflector with 45° cutoff to lamp. Factory standard self trim flange with a white finish.

UL listed, thermally protected ballast with a reliability factor of -20° F and <10% THD.

Ballast mounted to a galvanized snap on cover for easy access and removal.

Prewired electrogalvanized heavy steel junction box listed for through branch circuit wiring with 1/2" & 3/4" pryouts.

Electrogalvanized plated steel housing with adjustable spring steel roto clips allowing for a quick trim installation.

**Ceiling insulation must be kept 3" away from housing.**

**Listed for damp locations and wet locations under covered canopy.**

### Housing

Part #	Description
<b>Electronic Universal Voltage Ballast</b>	
V5E113UV	- 5" 13W (1) lamp 120/277V
V5E118UV	- 5" 18W (1) lamp 120/277V
V5E126UV	- 5" 26W (1) lamp 120/277V
V5E132UV	- 5" 32W (1) lamp 120/277V
V5E142UV	- 5" 42W (1) lamp 120/277V
<b>Lamp Base:</b>	
<i>Electronic 4 Pin</i>	
13W G24Q-1	18W G24Q-2 26W G24Q-3
32W GX24Q-3	42W GX24Q-4

### Trim

Part #	Description
<b>Black Multi-Groove Baffle</b>	
V521SPCL	- Specular Clear <i>Alzak</i> <sup>®</sup> Reflector
V521SPGO	- Specular Gold <i>Alzak</i> <sup>®</sup> Reflector
V521WH	- Matte White Reflector
<b>White Multi-Groove Baffle</b>	
V522SPCL	- Specular Clear <i>Alzak</i> <sup>®</sup> Reflector
V522SPGO	- Specular Gold <i>Alzak</i> <sup>®</sup> Reflector
V522WH	- Matte White Reflector

More Color Options Available See Page 6

Factory Standard is a Low Iridescent *Alzak*<sup>®</sup> finish

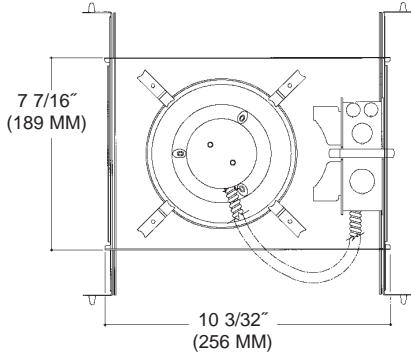
*Alzak*<sup>®</sup> is a registered trademark of ALCOA

### Accessories

EMG	- Emergency Battery Back up	LD	- Lutron Dimming Ballast	FS	- Fuse
ITEMG	- Internal Test Switch Emergency Battery	CB517	- Caddy Bars (517)		
AD7	- Advance Mark VII Dimming Ballast	CB520	- Caddy Bars (520)		
AD10	- Advance Mark X Dimming Ballast	RM	- Old Work Remodeler Housing		



**5" Vertical Maximum Watt Compact Fluorescent**

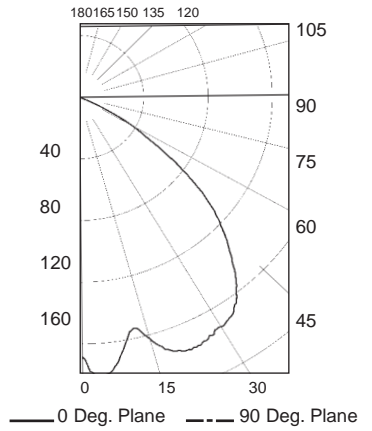


**Frame  
V5E113UV**

**Reflector  
V510SPCL**

**LTL Test # 11212**

**Efficiency: 46.2%**  
**Total Lumens: 900**  
**Lamp Source: 1x13W**  
 Sylvania CF13DD/E/835



**Cone of Light**

Ft below	FC nadir	Dia @ 50%
6.0	4.7	8.9
8.0	2.6	11.8
10.0	1.7	14.8
12.0	1.2	17.7
14.0	0.9	20.7
16.0	0.7	23.6

**Coefficients of Utilization**

RC	80				70				50				30				10				0			
RW	70	50	30	10	70	50	30	10	50	30	10	50	30	10	50	30	10	50	30	10	50	30	10	
0	55	55	55	55	54	54	54	54	51	51	51	49	49	49	47	47	47	46						
1	52	50	49	48	51	49	48	47	47	46	45	46	45	44	44	43	43	42						
2	49	46	43	42	47	45	43	41	43	42	40	42	41	39	41	39	38	38						
3	45	42	39	36	44	41	38	36	40	37	35	38	36	35	37	36	34	34						
4	42	38	34	32	41	37	34	32	36	33	31	35	33	31	34	32	31	30						
5	39	34	30	28	38	33	30	28	32	30	27	32	29	27	31	29	27	26						
6	36	31	27	25	35	30	27	24	29	26	24	29	26	24	28	26	24	23						
7	33	28	24	21	32	27	24	21	27	24	21	26	23	21	25	23	21	20						
8	30	25	21	19	30	24	21	19	24	21	18	23	20	18	23	20	18	17						
9	28	22	19	16	27	22	18	16	21	18	16	21	18	16	20	18	16	15						
10	26	20	17	14	25	20	16	14	19	16	14	19	16	14	19	16	14	13						

**Frame Options**

- REM - Remote Mount Emergency Battery
- RIF - Radio Interference Filter
- PFR - Plaster Frame Extender (for ceilings up to 2" thick)
- SA\*\* - Slope Ceiling Adaptor (white finish standard)
- CFM - Custom Frame Modifications (consult factory)

\*\* - specify slope degrees in 5° increments up to 45°

**Trim Options**

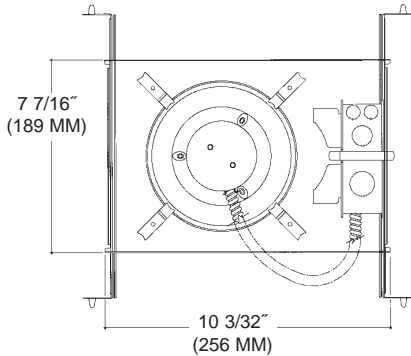
- PFL - Polish Flange
- TLP - Top Re-lamp Modifications
- FGSK - Flange Gasket
- GR - Goof Ring\*

\* - specify I.D. and O.D. standard white finish

**Ballast Options**

- H - Magnetic HPF
- N - Normal Power

**5" Vertical Maximum Watt Compact Fluorescent**

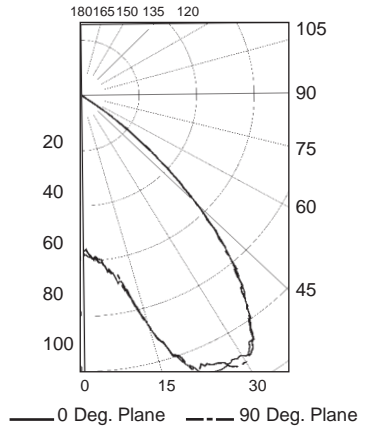


**Frame  
V5E113UV**

**Reflector  
V521SPCL**

**LTL Test # 11213**

**Efficiency: 21.2%**  
**Total Lumens: 900**  
**Lamp Source: 1x13W**  
 Sylvania CF13DD/E/835



**Cone of Light**

Ft below	FC nadir	Dia @ 50%
6.0	1.6	10.8
8.0	0.9	14.4
10.0	0.6	18.1
12.0	0.4	21.7
14.0	0.3	25.3
16.0	0.2	28.9

**Coefficients of Utilization**

RC	80				70				50				30				10				0			
RW	70	50	30	10	70	50	30	10	50	30	10	50	30	10	50	30	10	50	30	10	50	30	10	
0	25	25	25	25	25	25	25	25	24	24	24	23	23	23	22	22	22	21						
1	24	23	23	22	23	23	22	22	22	22	21	21	21	21	20	20	20	20						
2	23	21	21	20	22	21	20	19	20	20	19	20	19	19	19	19	18	18						
3	21	20	19	18	21	19	18	17	19	18	17	18	17	17	18	17	17	16						
4	20	18	17	16	19	18	17	16	17	16	15	17	16	15	16	16	15	15						
5	19	17	15	14	18	16	15	14	16	15	14	16	14	14	15	14	14	13						
6	17	15	14	13	17	15	14	13	15	13	12	14	13	12	14	13	12	12						
7	16	14	12	11	16	14	12	11	13	12	11	13	12	11	13	12	11	11						
8	15	12	11	10	15	12	11	10	12	11	10	12	11	10	12	11	10	9						
9	14	11	10	9	13	11	10	9	11	10	9	11	9	9	10	9	8	8						
10	13	10	9	8	12	10	9	8	10	9	8	10	8	8	9	8	8	7						

**Frame Options**

- REM - Remote Mount Emergency Battery
- RIF - Radio Interference Filter
- PFR - Plaster Frame Extender (for ceilings up to 2" thick)
- SA\*\* - Slope Ceiling Adaptor (white finish standard)
- CFM - Custom Frame Modifications (consult factory)

\*\* - specify slope degrees in 5° increments up to 45°

**Trim Options**

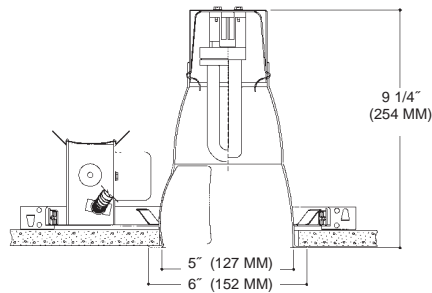
- PFL - Polish Flange
- TLP - Top Re-lamp Modifications
- FGSK - Flange Gasket
- GR - Goof Ring\*

\* - specify I.D. and O.D. standard white finish

**Ballast Options**

- H - Magnetic HPF
- N - Normal Power

## MAXIMUM WATTAGE WALL WASH REFLECTOR



Aperture: 5", Ceiling Cutout: 5 1/4", OD: 6"

### Housing

Part #	Description
<b>Electronic Universal Voltage Ballast</b>	
V5E113UV	- 5" 13W (1) lamp 120/277V
V5E118UV	- 5" 18W (1) lamp 120/277V
V5E126UV	- 5" 26W (1) lamp 120/277V
V5E132UV	- 5" 32W (1) lamp 120/277V
V5E142UV	- 5" 42W (1) lamp 120/277V
<b>Lamp Base:</b>	
<i>Electronic 4 Pin</i>	
13W G24Q-1	18W G24Q-2 26W G24Q-3
32W GX24Q-3	42W GX24Q-4

### Trim

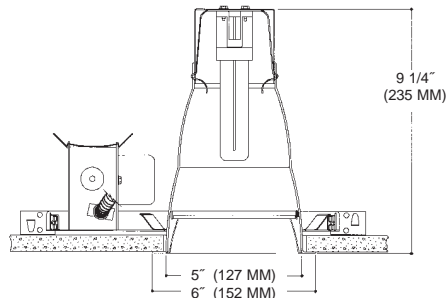
Part #	Description
V580SPCL	- Specular Clear Alzak® Reflector
V580SPGO	- Specular Gold Alzak® Reflector
V580SPWH	- Matte White Reflector
<b>More Color Options Available See Page 6</b>	
<b>Factory Standard is a Low Iridescent Alzak® finish</b>	
<b>Alzak® is a registered trademark of ALCOA</b>	

### Accessories

EMG	- Emergency Battery Back up	LD	- Lutron Dimming Ballast	FS	- Fuse
ITEMG	- Internal Test Switch Emergency Battery	CB517	- Caddy Bars (517)		
AD7	- Advance Mark VII Dimming Ballast	CB520	- Caddy Bars (520)		
AD10	- Advance Mark X Dimming Ballast	RM	- Old Work Remodeler Housing		



## MAXIMUM WATTAGE ENCLOSED LENS REFLECTOR



Aperture: 5", Ceiling Cutout: 5 1/4", OD: 6"

### Housing

Part #	Description
<b>Electronic Universal Voltage Ballast</b>	
V5E113UV	- 5" 13W (1) lamp 120/277V
V5E118UV	- 5" 18W (1) lamp 120/277V
<b>Lamp Base:</b>	
<i>Electronic 4 Pin</i>	
13W G24Q-1	18W G24Q-2 26W G24Q-3

### Trim

Part #	Description
<b>C73 Prismatic Lens</b>	
V530SPCL	- Specular Clear Alzak® Reflector
V530SPGO	- Specular Gold Alzak® Reflector
V530WH	- Matte White Splay
<b>Fresnel Lens</b>	
V532SPCL	- Specular Clear Alzak® Reflector
V532SPGO	- Specular Gold Alzak® Reflector
V532WH	- Matte White Splay
<b>More Color Options Available See Page 6</b>	
<b>Specular clear Alzak® reflector housing factory standard</b>	
<b>Alzak® is a registered trademark of ALCOA</b>	

### Accessories

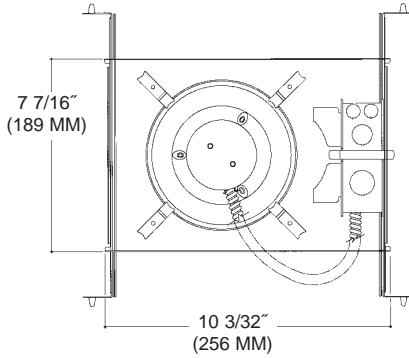
EMG	- Emergency Battery Back up	LD	- Lutron Dimming Ballast
AD7	- Advance Mark VII Dimming Ballast	CB517	- Caddy Bars (517)
AD10	- Advance Mark X Dimming Ballast	CB520	- Caddy Bars (520)
FS	- Fuse	RM	- Old Work Remodeler Housing



5"

Vertical Compact Fluorescent (quad Lamp)

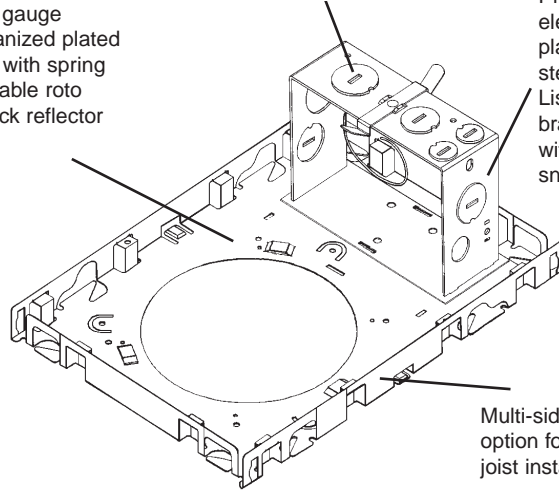
### 5" Vertical Compact Fluorescent



Heavy, .027 gauge electrogalvanized plated steel frame with spring steel adjustable roto clips for quick reflector installation.

Multiple 1/2" and 3/4" pryouts.

Prewired and grounded electrogalvanized plated heavy gauge steel junction box. Listed for through branch circuit wiring with two galvanized snap on covers



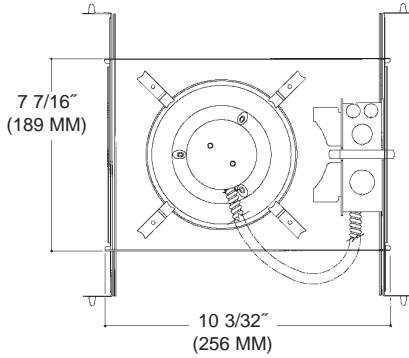
Multi-sided hanger bar option for various size joist installations.

Frame Options
<b>REM</b> - Remote Mount Emergency Battery <b>RIF</b> - Radio Interference Filter <b>PFR</b> - Plaster Frame Extender (for ceilings up to 2" thick) <b>SA**</b> - Slope Ceiling Adaptor (white finish standard) <b>CFM</b> - Custom Frame Modifications (consult factory)
** - specify slope degrees in 5° increments up to 45°

Trim Options
<b>PFL</b> - Polish Flange <b>TLP</b> - Top Re-lamp Modifications <b>FGSK</b> - Flange Gasket <b>GR</b> - Goof Ring*
* - specify I.D. and O.D. standard white finish

Ballast Options
<b>H</b> - Magnetic HPF <b>N</b> - Normal Power

### 5" Vertical Compact Fluorescent



#### Additional Product Info

##### Reflector

Single piece hand spun low iridescent Alzak® reflector with standard self trim flange and a white trim finish. 45° Lamp cutoff allows for a better visual cutoff then generally available.

High polish flange, white and black trim finish's available consult factory.

##### Socket

Aluminum, heat disipating socket cup vertically mounts to reflector by means of a firm locking adjustable husk clip. UL Listed, 2 pin or 4 pin high thermo plastic socket.

##### Ballast

UL Listed, thermally protected prograded start ballast with a reliability factor of -20° F and <10% THD. End of lamp life (EOL) shutdown circuit protected.

Ballast mounted to a galvanized snap on cover, mounted to junction box which is serviceable from below. Prograded Start (1.0-1.5 second without flicker) ballasts are designed to provide max. lamplife in frequent lamp starting applications.

##### Frame

Prewired electrogalvanized heavy steel junction box listed for through branch circuit wiring with 1/2" & 3/4" pryouts. Electrogalvanized plated steel housing with adjustable spring steel roto clips allowing for a quick trim installation.

Housing accomodates any ceilings with a max. thickness of 1 3/4"

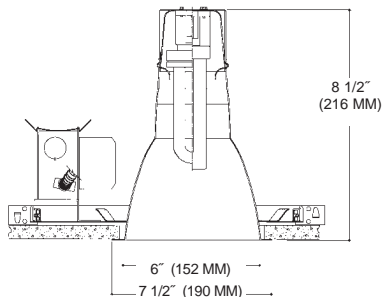
Same housing accomodates an open, lens, or wall wash reflector.

Frame Options
<b>REM</b> - Remote Mount Emergency Battery <b>RIF</b> - Radio Interference Filter <b>PFR</b> - Plaster Frame Extender (for ceilings up to 2" thick) <b>SA**</b> - Slope Ceiling Adaptor (white finish standard) <b>CFM</b> - Custom Frame Modifications (consult factory)
** - specify slope degrees in 5° increments up to 45°

Trim Options
<b>PFL</b> - Polish Flange <b>TLP</b> - Top Re-lamp Modifications <b>FGSK</b> - Flange Gasket <b>GR</b> - Goof Ring*
* - specify I.D. and O.D. standard white finish

Ballast Options
<b>H</b> - Magnetic HPF <b>N</b> - Normal Power

## OPEN REFLECTOR



Aperture: 6", Ceiling Cutout: 6 1/4", OD: 7 1/2"

### Housing

Part #	Description
<b>Electronic Universal Voltage Ballast</b>	
V6E113UV	- 6" 13W (1) lamp 120/277V
V6E118UV	- 6" 18W (1) lamp 120/277V
V6E126UV	- 6" 26W (1) lamp 120/277V
V6E132UV	- 6" 32W (1) lamp 120/277V
V6E142UV	- 6" 42W (1) lamp 120/277V
<b>Lamp Base:</b>	
<i>Electronic 4 Pin</i>	
13W G24Q-1	18W G24Q-2 26W G24Q-3
32W GX24Q-3	42W GX24Q-4

### Accessories

**EMG** - Emergency Battery Back up  
**ITEMG** - Internal Test Switch Emergency Battery  
**AD7** - Advance Mark VII Dimming Ballast  
**AD10** - Advance Mark X Dimming Ballast

**LD** - Lutron Dimming Ballast  
**CB517** - Caddy Bars (517)  
**CB520** - Caddy Bars (520)  
**RM** - Old Work Remodeler Housing

**FS** - Fuse



Single piece hand spun low iridescent *Alzak*® reflector with 45° cutoff to lamp. Factory standard self trim flange with a white finish.

UL listed, thermally protected ballast with a reliability factor of -20° F and <10% THD.

Ballast mounted to a galvanized snap on cover for easy access and removal.

Prewired electrogalvanized heavy steel junction box listed for through branch circuit wiring with 1/2" & 3/4" pryouts.

Electrogalvanized plated steel housing with adjustable spring steel roto clips allowing for a quick trim installation.

**Ceiling insulation must be kept 3" away from housing.**

**Listed for damp locations and wet locations under covered canopy.**

### Trim

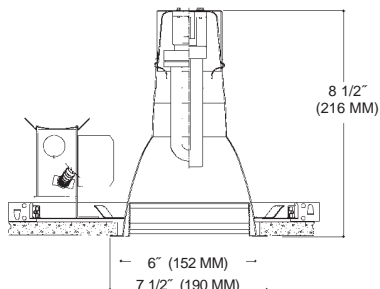
Part #	Description
V611SPCL	- Specular Clear <i>Alzak</i> ® Reflector
V611SPGO	- Specular Gold <i>Alzak</i> ® Reflector
V611SPWT	- Specular Wheat <i>Alzak</i> ® Reflector
V611SPPW	- Specular Pewter <i>Alzak</i> ® Reflector
V611SPUM	- Specular Umber <i>Alzak</i> ® Reflector
V611SPBL	- Specular Black <i>Alzak</i> ® Reflector
V611WH	- Matte White Reflector

**More Color Options Available See Page 6**

**Factory Standard is a Low Iridescent *Alzak*® finish**

***Alzak*® is a registered trademark of ALCOA**

## OPEN BAFFLE REFLECTOR



Aperture: 6", Ceiling Cutout: 6 1/4", OD: 7 1/2"

### Housing

Part #	Description
<b>Electronic Universal Voltage Ballast</b>	
V6E113UV	- 6" 13W (1) lamp 120/277V
V6E118UV	- 6" 18W (1) lamp 120/277V
V6E126UV	- 6" 26W (1) lamp 120/277V
V6E132UV	- 6" 32W (1) lamp 120/277V
V6E142UV	- 6" 42W (1) lamp 120/277V
<b>Lamp Base:</b>	
<i>Electronic 4 Pin</i>	
13W G24Q-1	18W G24Q-2 26W G24Q-3
32W GX24Q-3	42W GX24Q-4

### Accessories

**EMG** - Emergency Battery Back up  
**ITEMG** - Internal Test Switch Emergency Battery  
**AD7** - Advance Mark VII Dimming Ballast  
**AD10** - Advance Mark X Dimming Ballast

**LD** - Lutron Dimming Ballast  
**CB517** - Caddy Bars (517)  
**CB520** - Caddy Bars (520)  
**RM** - Old Work Remodeler Housing

**FS** - Fuse



Single piece hand spun low iridescent *Alzak*® reflector with 45° cutoff to lamp. Factory standard self trim flange with a white finish.

UL listed, thermally protected ballast with a reliability factor of -20° F and <10% THD.

Ballast mounted to a galvanized snap on cover for easy access and removal.

Prewired electrogalvanized heavy steel junction box listed for through branch circuit wiring with 1/2" & 3/4" pryouts.

Electrogalvanized plated steel housing with adjustable spring steel roto clips allowing for a quick trim installation.

**Ceiling insulation must be kept 3" away from housing.**

**Listed for damp locations and wet locations under covered canopy.**

### Trim

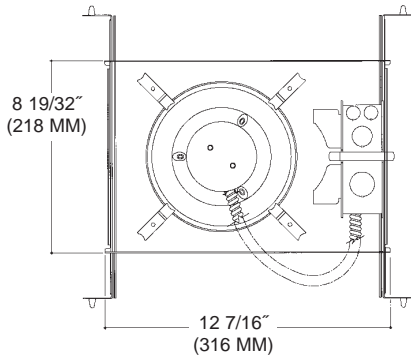
Part #	Description
<b>Black Multi-Groove Baffle</b>	
V623SPCL	- Specular Clear <i>Alzak</i> ® Reflector
V623SPGO	- Specular Gold <i>Alzak</i> ® Reflector
V623WH	- Matte White Reflector
<b>White Multi-Groove Baffle</b>	
V624SPCL	- Specular Clear <i>Alzak</i> ® Reflector
V624SPGO	- Specular Gold <i>Alzak</i> ® Reflector
V624WH	- Matte White Reflector

**More Color Options Available See Page 6**

**Factory Standard is a Low Iridescent *Alzak*® finish**

***Alzak*® is a registered trademark of ALCOA**

### 6" Vertical Compact Fluorescent

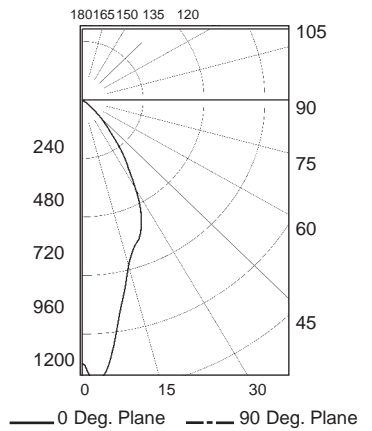


**Frame**  
**V6E126UV**

**Reflector**  
**V610SPCL**

**LTL Test # 11216**

**Efficiency: 53.6%**  
**Total Lumens: 1800**  
**Lamp Source: 1x26W**  
Sylvania CF26DD/E/835



#### Coefficients of Utilization

RC	80				70				50		30		10		0			
	RW	70	50	30	10	70	50	30	10	50	30	10	50	30	10			
0	64	64	64	64	62	62	62	62	60	60	60	57	57	57	55	55	55	54
1	60	59	57	56	59	58	56	55	55	54	53	53	53	52	52	51	50	49
2	57	54	52	49	56	53	51	49	51	49	48	50	48	47	48	47	46	45
3	53	50	46	44	52	49	46	44	47	45	43	46	44	42	45	43	42	41
4	50	45	42	39	49	45	41	39	43	41	39	42	40	38	41	39	38	37
5	47	41	38	35	46	41	37	35	40	37	35	39	36	34	38	36	34	33
6	44	38	34	32	43	38	34	31	37	34	31	36	33	31	35	33	31	30
7	41	35	31	28	40	34	31	28	34	30	28	33	30	28	32	30	28	27
8	38	32	28	25	37	31	28	25	31	27	25	30	27	25	29	27	25	24
9	35	29	25	22	34	28	25	22	28	25	22	27	24	22	27	24	22	21
10	33	26	23	20	32	26	22	20	26	22	20	25	22	20	25	22	20	19

#### Cone of Light

Ft below	FC nadir	Dia @ 50%
6.0	19.7	5.6
8.0	11.1	7.5
10.0	7.1	9.4
12.0	4.9	11.3
14.0	3.6	13.2
16.0	2.8	15.0

#### Frame Options

- REM - Remote Mount Emergency Battery
- RIF - Radio Interference Filter
- PFR - Plaster Frame Extender (for ceilings up to 2" thick)
- SA\*\* - Slope Ceiling Adaptor (white finish standard)
- CFM - Custom Frame Modifications (consult factory)

\*\* - specify slope degrees in 5° increments up to 45°

#### Trim Options

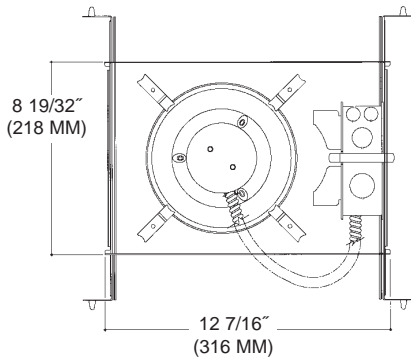
- PFL - Polish Flange
- TLP - Top Re-lamp Modifications
- FGSK - Flange Gasket
- GR - Goof Ring\*

\* - specify I.D. and O.D. standard white finish

#### Ballast Options

- H - Magnetic HPF
- N - Normal Power

### 6" Vertical Compact Fluorescent

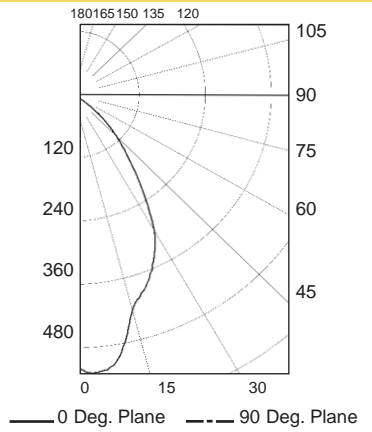


**Frame**  
**V6E126UV**

**Reflector**  
**V621SPCL**

**LTL Test # 11217**

**Efficiency: 32.5%**  
**Total Lumens: 1800**  
**Lamp Source: 1x26W**  
Sylvania CF26DD/E/835



#### Coefficients of Utilization

RC	80				70				50		30		10		0			
	RW	70	50	30	10	70	50	30	10	50	30	10	50	30	10			
0	39	39	39	39	38	38	38	38	36	36	36	35	35	35	33	33	33	32
1	37	36	35	34	36	35	34	34	34	33	33	33	32	32	32	31	31	30
2	35	33	32	31	34	33	31	30	32	31	30	31	30	29	30	29	29	28
3	33	31	29	28	32	30	29	28	30	28	27	29	28	27	28	27	26	26
4	31	29	27	25	31	28	26	25	27	26	25	27	26	24	26	25	24	24
5	29	26	24	23	29	26	24	23	26	24	23	25	24	22	24	23	22	22
6	28	25	23	21	27	24	22	21	24	22	21	23	22	21	23	22	21	20
7	26	23	21	19	26	23	21	19	22	20	19	22	20	19	21	20	19	18
8	24	21	19	17	24	21	19	17	20	19	17	20	18	17	20	18	17	17
9	23	19	17	16	22	19	17	16	19	17	16	18	17	16	18	17	16	15
10	21	18	16	14	21	18	16	14	17	16	14	17	15	14	17	15	14	14

#### Cone of Light

Ft below	FC nadir	Dia @ 50%
6.0	14.6	5.5
8.0	8.2	7.4
10.0	5.3	9.2
12.0	3.7	11.0
14.0	2.7	12.9
16.0	2.1	14.7

#### Frame Options

- REM - Remote Mount Emergency Battery
- RIF - Radio Interference Filter
- PFR - Plaster Frame Extender (for ceilings up to 2" thick)
- SA\*\* - Slope Ceiling Adaptor (white finish standard)
- CFM - Custom Frame Modifications (consult factory)

\*\* - specify slope degrees in 5° increments up to 45°

#### Trim Options

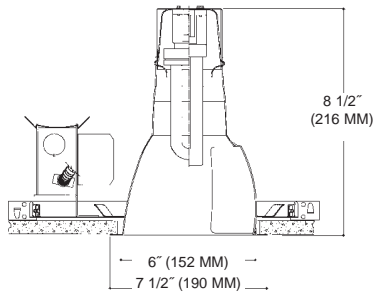
- PFL - Polish Flange
- TLP - Top Re-lamp Modifications
- FGSK - Flange Gasket
- GR - Goof Ring\*

\* - specify I.D. and O.D. standard white finish

#### Ballast Options

- H - Magnetic HPF
- N - Normal Power

## OPEN WALL WASH REFLECTOR



Aperture: 6", Ceiling Cutout: 6 1/4", OD: 7 1/2"

### Housing

#### Part # Description

Electronic Universal Voltage Ballast

V6E113UV - 6" 13W (1) lamp 120/277V

V6E118UV - 6" 18W (1) lamp 120/277V

V6E126UV - 6" 26W (1) lamp 120/277V

V6E132UV - 6" 32W (1) lamp 120/277V

V6E142UV - 6" 42W (1) lamp 120/277V

#### Lamp Base:

Electronic 4 Pin

13W G24Q-1 18W G24Q-2 26W G24Q-3

32W GX24Q-3 42W GX24Q-4

Single piece hand spun low iridescent *Alzak*<sup>®</sup> reflector with 45° cutoff to lamp. Factory standard self trim flange with a white finish.

UL listed, thermally protected ballast with a reliability factor of -20° F and <10% THD.

Ballast mounted to a galvanized snap on cover for easy access and removal.

Prewired electrogalvanized heavy steel junction box listed for through branch circuit wiring with 1/2" & 3/4" pryouts.

Electrogalvanized plated steel housing with adjustable spring steel roto clips allowing for a quick trim installation.

**Ceiling insulation must be kept 3" away from housing.**

**Listed for damp locations and wet locations under covered canopy.**

### Trim

#### Part # Description

#### Single Wall Wash

V681SPCL - Specular Clear *Alzak*<sup>®</sup> Reflector

V681SPGO - Specular Gold *Alzak*<sup>®</sup> Reflector

V681WH - Matte White Reflector

#### Double Wall Wash

V682SPCL - Specular Clear *Alzak*<sup>®</sup> Reflector

V682SPGO - Specular Gold *Alzak*<sup>®</sup> Reflector

V682WH - Matte White Reflector

More Color Options Available See Page 6

Factory Standard is a Low Iridescent *Alzak*<sup>®</sup> finish

*Alzak*<sup>®</sup> is a registered trademark of ALCOA

### Accessories

EMG - Emergency Battery Back up

ITEMG - Internal Test Switch Emergency Battery

AD7 - Advance Mark VII Dimming Ballast

AD10 - Advance Mark X Dimming Ballast

LD - Lutron Dimming Ballast

CB517 - Caddy Bars (517)

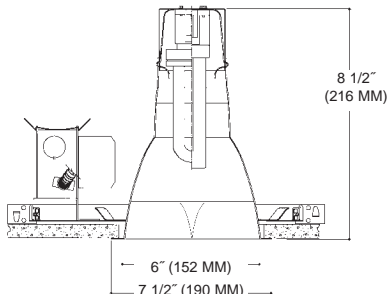
CB520 - Caddy Bars (520)

RM - Old Work Remodeler Housing

FS - Fuse



## PARABOLIC DEEP CROSS BAFFLE REFLECTOR



Aperture: 6", Ceiling Cutout: 6 1/4", OD: 7 1/2"

### Housing

#### Part # Description

Electronic Universal Voltage Ballast

V6E113UV - 6" 13W (1) lamp 120/277V

V6E118UV - 6" 18W (1) lamp 120/277V

V6E126UV - 6" 26W (1) lamp 120/277V

V6E132UV - 6" 32W (1) lamp 120/277V

V6E142UV - 6" 42W (1) lamp 120/277V

#### Lamp Base:

Electronic 4 Pin

13W G24Q-1 18W G24Q-2 26W G24Q-3

32W GX24Q-3 42W GX24Q-4

Single piece hand spun low iridescent *Alzak*<sup>®</sup> reflector with 45° cutoff to lamp. Factory standard self trim flange with a white finish.

UL listed, thermally protected ballast with a reliability factor of -20° F and <10% THD.

Ballast mounted to a galvanized snap on cover for easy access and removal.

Prewired electrogalvanized heavy steel junction box listed for through branch circuit wiring with 1/2" & 3/4" pryouts.

Electrogalvanized plated steel housing with adjustable spring steel roto clips allowing for a quick trim installation.

**Ceiling insulation must be kept 3" away from housing.**

**Listed for damp locations and wet locations under covered canopy.**

### Trim

#### Part # Description

#### Parabolic Deep Cross Baffle

VXB611SPCL - Specular Clear *Alzak*<sup>®</sup> Reflector

VXB611SPGO - Specular Gold *Alzak*<sup>®</sup> Reflector

VXB611SPWT - Specular Wheat *Alzak*<sup>®</sup> Reflector

VXB611SPPW - Specular Pewter *Alzak*<sup>®</sup> Reflector

VXB611SPUM - Specular Umber *Alzak*<sup>®</sup> Reflector

VXB611SPBL - Specular Black *Alzak*<sup>®</sup> Reflector

VXB611WH - Matte White Reflector

More Color Options Available See Page 6

Factory Standard is a Low Iridescent *Alzak*<sup>®</sup> finish

*Alzak*<sup>®</sup> is a registered trademark of ALCOA

### Accessories

EMG - Emergency Battery Back up

ITEMG - Internal Test Switch Emergency Battery

AD7 - Advance Mark VII Dimming Ballast

AD10 - Advance Mark X Dimming Ballast

LD - Lutron Dimming Ballast

CB517 - Caddy Bars (517)

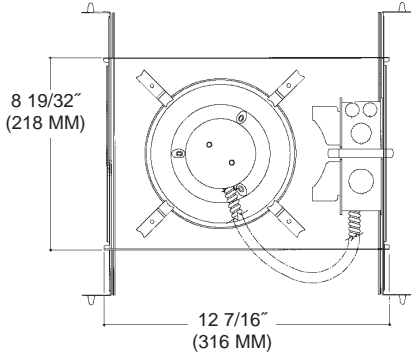
CB520 - Caddy Bars (520)

RM - Old Work Remodeler Housing

FS - Fuse



### 6" Vertical Compact Fluorescent

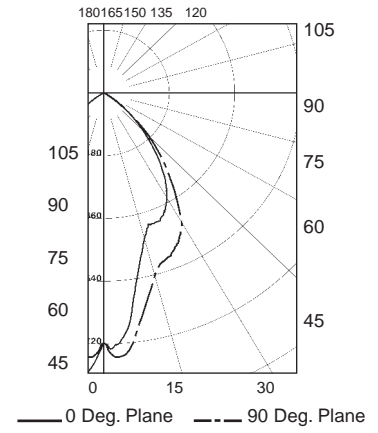


**Frame**  
**V6E126UV**

**Reflector**  
**V681SPCL**

**LTL Test # 11218**

**Efficiency:** 45.5%  
**Total Lumens:** 1800  
**Lamp Source:** 1x26W  
Sylvania CF26DD/E/835



**Cone of Light**

Ft below	FC nadir	Dia @ 50%
6.0	19.9	5.3
8.0	11.2	7.1
10.0	7.2	8.9
12.0	5.0	10.7
14.0	3.7	12.4
16.0	2.8	14.2

**Coefficients of Utilization**

RC	80			70			50			30			10			0				
	RW	70	50	30	10	0	RW	70	50	30	10	0	RW	70	50	30	10	0		
0	54	54	54	54	53	53	53	53	51	51	51	51	48	48	48	48	46	46	46	46
1	52	50	49	48	50	49	48	47	47	47	46	46	46	45	44	44	44	44	43	42
2	49	47	45	43	48	46	44	42	44	43	42	41	43	42	41	40	42	41	40	39
3	46	43	41	39	45	42	40	38	41	39	38	37	40	38	37	36	39	38	37	36
4	43	40	37	35	43	39	37	35	38	36	34	33	37	35	34	33	36	35	34	33
5	41	37	34	32	40	36	34	31	35	33	31	30	35	33	31	30	34	32	31	30
6	38	34	31	29	38	34	31	29	33	30	29	28	32	30	28	27	32	30	28	27
7	36	31	28	26	35	31	28	26	30	28	26	25	30	28	26	25	29	27	26	25
8	34	29	26	24	33	29	26	24	28	25	24	23	28	25	23	22	27	25	23	22
9	31	26	23	21	31	26	23	21	26	23	21	20	25	23	21	20	25	23	21	20
10	29	24	21	19	29	24	21	19	24	21	19	18	23	21	19	18	23	21	19	18

**Frame Options**

- REM - Remote Mount Emergency Battery
- RIF - Radio Interference Filter
- PFR - Plaster Frame Extender (for ceilings up to 2" thick)
- SA\*\* - Slope Ceiling Adaptor (white finish standard)
- CFM - Custom Frame Modifications (consult factory)

\*\* - specify slope degrees in 5° increments up to 45°

**Trim Options**

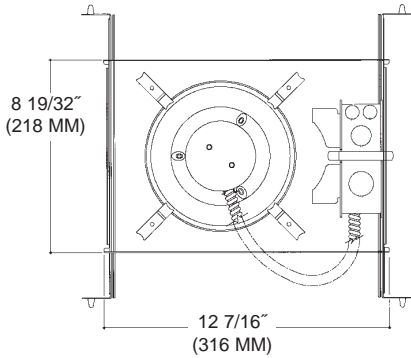
- PFL - Polish Flange
- TLP - Top Re-lamp Modifications
- FGSK - Flange Gasket
- GR - Goof Ring\*

\* - specify I.D. and O.D. standard white finish

**Ballast Options**

- H - Magnetic HPF
- N - Normal Power

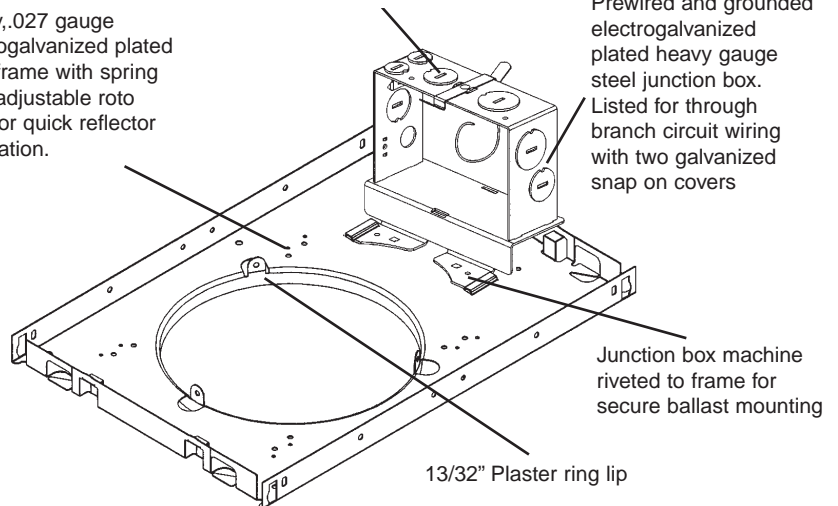
### 6" Vertical Compact Fluorescent



Heavy, .027 gauge electrogalvanized plated steel frame with spring steel adjustable roto clips for quick reflector installation.

Multiple 1/2" and 3/4" pryouts.

Prewired and grounded electrogalvanized plated heavy gauge steel junction box. Listed for through branch circuit wiring with two galvanized snap on covers



Junction box machine riveted to frame for secure ballast mounting

13/32" Plaster ring lip

**Frame Options**

- REM - Remote Mount Emergency Battery
- RIF - Radio Interference Filter
- PFR - Plaster Frame Extender (for ceilings up to 2" thick)
- SA\*\* - Slope Ceiling Adaptor (white finish standard)
- CFM - Custom Frame Modifications (consult factory)

\*\* - specify slope degrees in 5° increments up to 45°

**Trim Options**

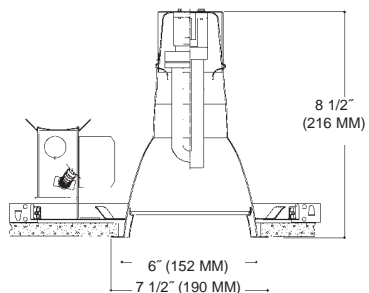
- PFL - Polish Flange
- TLP - Top Re-lamp Modifications
- FGSK - Flange Gasket
- GR - Goof Ring\*

\* - specify I.D. and O.D. standard white finish

**Ballast Options**

- H - Magnetic HPF
- N - Normal Power

## ENCLOSED LENS REFLECTOR



Aperture: 6", Ceiling Cutout: 6 1/4", OD: 7 1/2"

### Housing

Part #	Description
<b>Electronic Universal Voltage Ballast</b>	
V6E113UV	- 6" 13W (1) lamp 120/277V
V6E118UV	- 6" 18W (1) lamp 120/277V
<b>Lamp Base:</b>	
Electronic 4 Pin	
13W G24Q-1	18W G24Q-2

### Trim

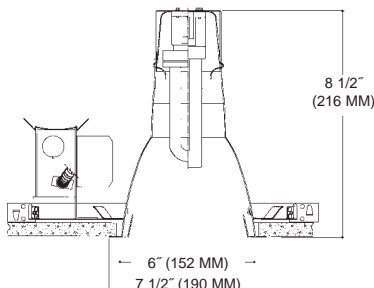
Part #	Description
<b>C73 Prismatic Lens</b>	
V630SPCL	- Specular Clear Alzak® Reflector
V630WH	- Matte White Splay
<b>Fresnel Lens</b>	
V632SPCL	- Specular Clear Alzak® Reflector
V632WH	- Matte White Splay
<b>Clear Lens</b>	
V636SPCL	- Specular Clear Alzak® Reflector
V636WH	- Matte White Splay
<b>More Color Options Available See Page 6</b>	
Specular clear Alzak® reflector housing factory standard	
Alzak® is a registered trademark of ALCOA	

### Accessories

EMG	- Emergency Battery Back up	LD	- Lutron Dimming Ballast
AD7	- Advance Mark VII Dimming Ballast	CB517	- Caddy Bars (517)
AD10	- Advance Mark X Dimming Ballast	CB520	- Caddy Bars (520)
FS	- Fuse	RM	- Old Work Remodeler Housing



## ENCLOSED BAFFLED SPLAY AND LENS REFLECTOR



Aperture: 6", Ceiling Cutout: 6 1/4", OD: 7 1/2"

### Housing

Part #	Description
<b>Electronic Universal Voltage Ballast</b>	
V6E113UV	- 6" 13W (1) lamp 120/277V
V6E118UV	- 6" 18W (1) lamp 120/277V
<b>Lamp Base:</b>	
Electronic 4 Pin	
13W G24Q-1	18W G24Q-2

### Trim

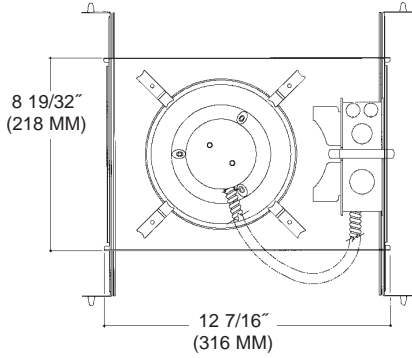
Part #	Description
<b>C73 Prismatic Lens</b>	
V660SPCL	- Black Multi Groove Baffle
V660WH	- White Multi Groove Baffle
<b>Fresnel Lens</b>	
V662SPCL	- Black Multi Groove Baffle
V662WH	- White Multi Groove Baffle
<b>Clear Lens</b>	
V666SPCL	- Black Multi Groove Baffle
V666WH	- White Multi Groove Baffle
<b>More Color Options Available See Page 6</b>	
Specular clear Alzak® reflector housing factory standard	
Alzak® is a registered trademark of ALCOA	

### Accessories

EMG	- Emergency Battery Back up	LD	- Lutron Dimming Ballast
AD7	- Advance Mark VII Dimming Ballast	CB517	- Caddy Bars (517)
AD10	- Advance Mark X Dimming Ballast	CB520	- Caddy Bars (520)
FS	- Fuse	RM	- Old Work Remodeler Housing



### 6" Vertical Compact Fluorescent

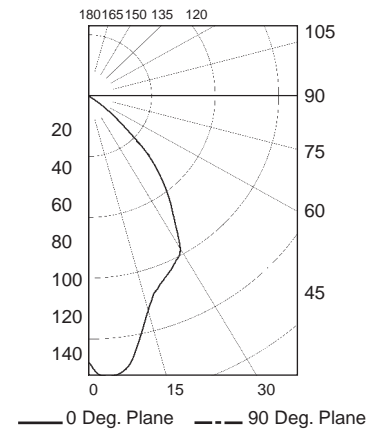


**Frame**  
**V6E132UV**

**Reflector**  
**V611SPCL**

**LTL Test # 11219**

**Efficiency: 54.8%**  
**Total Lumens: 2400**  
**Lamp Source: 1x32W**  
Sylvania CF32DT/E/IN/830



#### Coefficients of Utilization

RC	80				70				50				30				10				0					
	RW	70	50	30	10	70	50	30	10	50	30	10	50	30	10	50	30	10	50	30	10	50	30	10		
0	65	65	65	65	64	64	64	64	61	61	61	58	58	58	56	56	56	55	55	55	55	53	53	53	51	51
1	62	60	59	58	61	59	58	57	57	56	55	55	54	54	53	53	52	51	51	51	51	49	49	49	47	47
2	59	56	54	52	58	55	53	51	53	52	50	52	50	49	50	49	48	47	47	47	47	45	45	45	43	43
3	56	52	49	47	54	51	48	46	50	47	46	48	46	45	47	46	44	43	43	43	43	42	42	42	40	40
4	52	48	45	42	51	47	44	42	46	44	42	45	43	41	44	42	41	40	40	40	40	39	39	39	37	37
5	49	44	41	38	48	44	41	38	43	40	38	42	39	37	41	39	37	36	36	36	36	35	35	35	33	33
6	46	41	38	35	46	41	37	35	40	37	35	39	36	34	38	36	34	33	33	33	33	32	32	32	30	30
7	46	41	38	35	46	41	37	35	40	37	35	39	36	34	38	36	34	33	33	33	33	32	32	32	30	30
8	41	35	31	29	40	35	31	29	34	31	29	33	30	28	33	30	28	27	27	27	27	26	26	26	24	24
9	38	32	28	26	37	32	28	26	31	28	26	31	28	26	30	27	25	25	25	25	25	24	24	24	22	22
10	35	29	26	23	35	29	26	23	29	25	23	28	25	23	28	25	23	22	22	22	22	21	21	21	19	19

#### Cone of Light

Ft	FC	Dia @
below	nadir	50%
6.0	29.2	6.0
8.0	16.4	8.0
10.0	10.5	10.0
12.0	7.3	12.0
14.0	5.4	14.0
16.0	4.1	16.0

#### Frame Options

- REM** - Remote Mount Emergency Battery
- RIF** - Radio Interference Filter
- PFR** - Plaster Frame Extender (for ceilings up to 2" thick)
- SA\*\*** - Slope Ceiling Adaptor (white finish standard)
- CFM** - Custom Frame Modifications (consult factory)

\*\* - specify slope degrees in 5° increments up to 45°

#### Trim Options

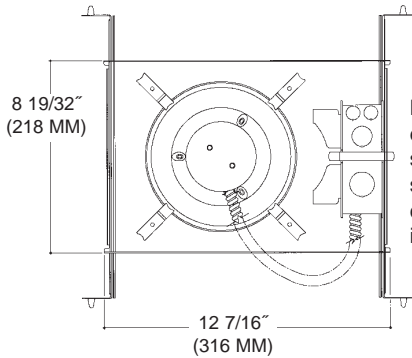
- PFL** - Polish Flange
- TLP** - Top Re-lamp Modifications
- FGSK** - Flange Gasket
- GR** - Goof Ring\*

\* - specify I.D. and O.D. standard white finish

#### Ballast Options

- H** - Magnetic HPF
- N** - Normal Power

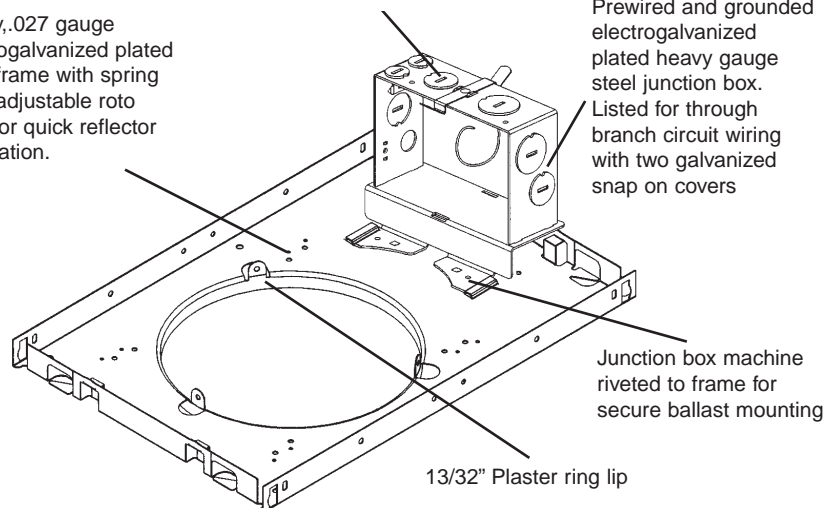
### 6" Vertical Compact Fluorescent



Heavy, .027 gauge electrogalvanized plated steel frame with spring steel adjustable roto clips for quick reflector installation.

Multiple 1/2" and 3/4" pryouts.

Prewired and grounded electrogalvanized plated heavy gauge steel junction box. Listed for through branch circuit wiring with two galvanized snap on covers



#### Frame Options

- REM** - Remote Mount Emergency Battery
- RIF** - Radio Interference Filter
- PFR** - Plaster Frame Extender (for ceilings up to 2" thick)
- SA\*\*** - Slope Ceiling Adaptor (white finish standard)
- CFM** - Custom Frame Modifications (consult factory)

\*\* - specify slope degrees in 5° increments up to 45°

#### Trim Options

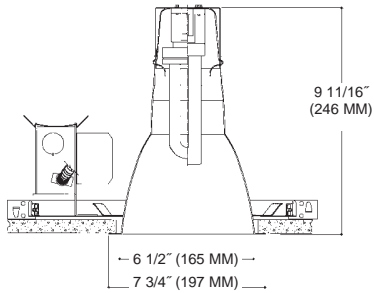
- PFL** - Polish Flange
- TLP** - Top Re-lamp Modifications
- FGSK** - Flange Gasket
- GR** - Goof Ring\*

\* - specify I.D. and O.D. standard white finish

#### Ballast Options

- H** - Magnetic HPF
- N** - Normal Power

## OPEN REFLECTOR



Aperture: 6 1/2", Ceiling Cutout: 6 3/4", OD: 7 3/4"

### Housing

Part #	Description
<b>Electronic Universal Voltage Ballast</b>	
V7E113UV	- 7" 13W (1) lamp 120/277V
V7E118UV	- 7" 18W (1) lamp 120/277V
V7E126UV	- 7" 26W (1) lamp 120/277V
V7E132UV	- 7" 32W (1) lamp 120/277V
V7E142UV	- 7" 42W (1) lamp 120/277V
<b>Lamp Base:</b>	
<i>Electronic 4 Pin</i>	
13W G24Q-1	18W G24Q-2 26W G24Q-3
32W GX24Q-3	42W GX24Q-4

### Trim

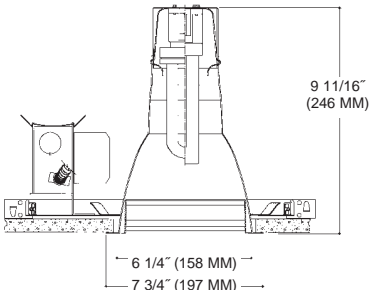
Part #	Description
V711SPCL	- Specular Clear Alzak® Reflector
V711SPGO	- Specular Gold Alzak® Reflector
V711SPWT	- Specular Wheat Alzak® Reflector
V711SPPW	- Specular Pewter Alzak® Reflector
V711SPUM	- Specular Umber Alzak® Reflector
V711SPBL	- Specular Black Alzak® Reflector
V711SPWH	- Matte White Reflector
<b>More Color Options Available See Page 6</b>	
<b>Factory Standard is a Low Iridescent Alzak® finish</b>	
<b>Alzak® is a registered trademark of ALCOA</b>	

### Accessories

EMG	- Emergency Battery Back up	LD	- Lutron Dimming Ballast	FS	- Fuse
ITEMG	- Internal Test Switch Emergency Battery	CB517	- Caddy Bars (517)		
AD7	- Advance Mark VII Dimming Ballast	CB520	- Caddy Bars (520)		
AD10	- Advance Mark X Dimming Ballast	RM	- Old Work Remodeler Housing		



## OPEN BAFFLE REFLECTOR



Aperture: 6 1/4", Ceiling Cutout: 6 3/4", OD: 7 3/4"

### Housing

Part #	Description
<b>Electronic Universal Voltage Ballast</b>	
V7E113UV	- 7" 13W (1) lamp 120/277V
V7E118UV	- 7" 18W (1) lamp 120/277V
V7E126UV	- 7" 26W (1) lamp 120/277V
V7E132UV	- 7" 32W (1) lamp 120/277V
V7E142UV	- 7" 42W (1) lamp 120/277V
<b>Lamp Base:</b>	
<i>Electronic 4 Pin</i>	
13W G24Q-1	18W G24Q-2 26W G24Q-3
32W GX24Q-3	42W GX24Q-4

### Trim

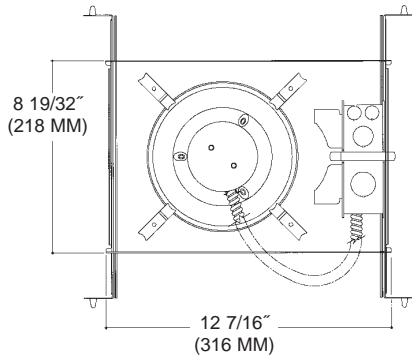
Part #	Description
<b>Black Multi-Groove Baffle</b>	
V723SPCL	- Specular Clear Alzak® Reflector
V723SPGO	- Specular Gold Alzak® Reflector
V723WH	- Matte White Reflector
<b>White Multi-Groove Baffle</b>	
V724SPCL	- Specular Clear Alzak® Reflector
V724SPGO	- Specular Gold Alzak® Reflector
V724WH	- Matte White Reflector
<b>More Color Options Available See Page 6</b>	
<b>Factory Standard is a Low Iridescent Alzak® finish</b>	
<b>Alzak® is a registered trademark of ALCOA</b>	

### Accessories

EMG	- Emergency Battery Back up	LD	- Lutron Dimming Ballast	FS	- Fuse
ITEMG	- Internal Test Switch Emergency Battery	CB517	- Caddy Bars (517)		
AD7	- Advance Mark VII Dimming Ballast	CB520	- Caddy Bars (520)		
AD10	- Advance Mark X Dimming Ballast	RM	- Old Work Remodeler Housing		



### 7" Vertical Compact Fluorescent

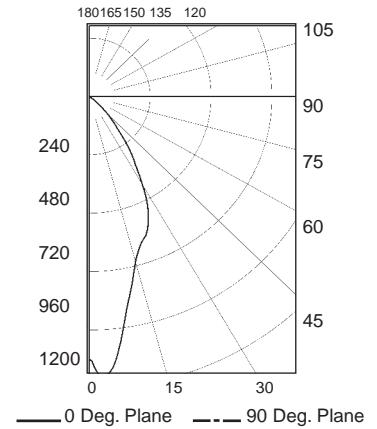


**Frame**  
**V7E126UV**

**Reflector**  
**V711SPCL**

**LTL Test # 11222**

**Efficiency: 45.1%**  
**Total Lumens: 1800**  
**Lamp Source: 1x26W**  
Sylvania CF26DD/E/835



#### Coefficients of Utilization

RC	80				70				50				30				10				0			
RW	70	50	30	10	70	50	30	10	50	30	10	50	30	10	50	30	10	50	30	10	50	30	10	
0	54	54	54	54	52	52	52	52	50	50	50	48	48	48	46	46	46	45						
1	51	50	49	48	50	49	48	47	47	47	46	46	45	45	44	44	43	43						
2	49	47	45	44	48	46	45	43	45	43	42	43	42	41	42	41	41	40						
3	47	44	42	40	46	43	41	40	42	40	39	41	40	39	40	39	38	37						
4	44	41	39	37	43	41	38	37	40	38	36	39	37	36	38	36	35	35						
5	42	38	36	34	41	38	36	34	37	35	34	37	35	33	36	34	33	32						
6	40	36	34	32	39	36	33	32	35	33	31	35	33	31	34	32	31	30						
7	38	34	31	29	37	34	31	29	33	31	29	33	31	29	32	30	29	28						
8	36	32	29	27	35	31	29	27	31	29	27	30	28	27	30	28	27	26						
9	34	29	27	25	33	29	27	25	29	26	25	28	26	25	28	26	25	24						
10	32	27	25	23	31	27	25	23	27	25	23	27	24	23	26	24	23	22						

#### Cone of Light

Ft below	FC nadir	Dia @ 50%
6.0	5.7	7.1
8.0	3.2	9.5
10.0	2.0	11.9
12.0	1.4	14.2
14.0	1.0	16.6
16.0	0.8	19.0

#### Frame Options

- REM** - Remote Mount Emergency Battery
- RIF** - Radio Interference Filter
- PFR** - Plaster Frame Extender (for ceilings up to 2" thick)
- SA\*\*** - Slope Ceiling Adaptor (white finish standard)
- CFM** - Custom Frame Modifications (consult factory)

\*\* - specify slope degrees in 5° increments up to 45°

#### Trim Options

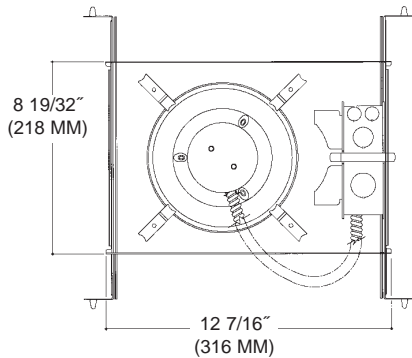
- PFL** - Polish Flange
- TLP** - Top Re-lamp Modifications
- FGSK** - Flange Gasket
- GR** - Goof Ring\*

\* - specify I.D. and O.D. standard white finish

#### Ballast Options

- H** - Magnetic HPF
- N** - Normal Power

### 7" Vertical Compact Fluorescent

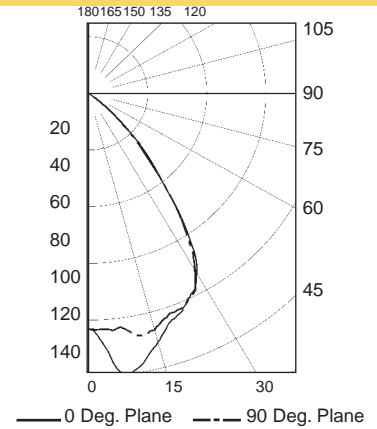


**Frame**  
**V7TE126UV**

**Reflector**  
**V711SPCL**

**LTL Test # 11223**

**Efficiency: 53.8%**  
**Total Lumens: 1800**  
**Lamp Source: 1x26W**  
Philips PL-T 26W/30/4P/Alto



#### Coefficients of Utilization

RC	80				70				50				30				10				0			
RW	70	50	30	10	70	50	30	10	50	30	10	50	30	10	50	30	10	50	30	10	50	30	10	
0	64	64	64	64	63	63	63	63	60	60	60	57	57	57	55	55	55	54						
1	61	60	58	57	60	58	57	56	56	55	54	54	53	53	52	52	51	50						
2	58	55	53	51	57	54	52	51	53	51	50	51	50	49	50	48	47	47						
3	55	51	49	47	54	51	48	46	49	47	45	48	46	45	47	45	44	43						
4	52	48	45	42	51	47	44	42	46	43	42	45	43	41	44	42	41	40						
5	49	44	41	39	48	44	41	38	43	40	38	42	39	38	41	39	37	37						
6	46	41	38	36	45	41	38	35	40	37	35	39	37	35	39	36	35	34						
7	44	48	35	33	43	38	35	32	37	34	32	37	34	32	36	34	32	31						
8	41	35	32	29	40	35	32	29	34	31	29	34	31	29	33	31	29	28						
9	38	32	29	27	37	32	29	27	32	29	26	31	28	26	31	28	26	25						
10	36	30	26	24	35	30	26	24	29	26	24	29	26	24	28	26	24	23						

#### Cone of Light

Ft below	FC nadir	Dia @ 50%
6.0	18.5	7.4
8.0	10.4	9.9
10.0	6.7	12.4
12.0	4.6	14.9
14.0	3.4	17.3
16.0	2.6	19.8

#### Frame Options

- REM** - Remote Mount Emergency Battery
- RIF** - Radio Interference Filter
- PFR** - Plaster Frame Extender (for ceilings up to 2" thick)
- SA\*\*** - Slope Ceiling Adaptor (white finish standard)
- CFM** - Custom Frame Modifications (consult factory)

\*\* - specify slope degrees in 5° increments up to 45°

#### Trim Options

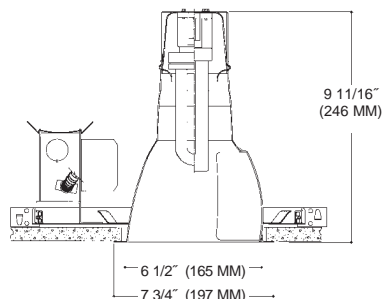
- PFL** - Polish Flange
- TLP** - Top Re-lamp Modifications
- FGSK** - Flange Gasket
- GR** - Goof Ring\*

\* - specify I.D. and O.D. standard white finish

#### Ballast Options

- H** - Magnetic HPF
- N** - Normal Power

## OPEN WALL WASH REFLECTOR



Aperture: 6 1/2", Ceiling Cutout: 6 3/4", OD: 7 3/4"

### Housing

#### Part # Description

Electronic Universal Voltage Ballast

V7E113UV - 7" 13W (1) lamp 120/277V

V7E118UV - 7" 18W (1) lamp 120/277V

V7E126UV - 7" 26W (1) lamp 120/277V

V7E132UV - 7" 32W (1) lamp 120/277V

V7E142UV - 7" 42W (1) lamp 120/277V

#### Lamp Base:

Electronic 4 Pin

13W G24Q-1 18W G24Q-2 26W G24Q-3

32W GX24Q-3 42W GX24Q-4

Single piece hand spun low iridescent *Alzak*<sup>®</sup> reflector with 45° cutoff to lamp. Factory standard self trim flange with a white finish.

UL listed, thermally protected ballast with a reliability factor of -20° F and <10% THD.

Ballast mounted to a galvanized snap on cover for easy access and removal.

Prewired electrogalvanized heavy steel junction box listed for through branch circuit wiring with 1/2" & 3/4" pryouts.

Electrogalvanized plated steel housing with adjustable spring steel roto clips allowing for a quick trim installation.

**Ceiling insulation must be kept 3" away from housing.**

**Listed for damp locations and wet locations under covered canopy.**

### Trim

#### Part # Description

##### Single Wall Wash

V781SPCL - Specular Clear *Alzak*<sup>®</sup> Reflector

V781SPGO - Specular Gold *Alzak*<sup>®</sup> Reflector

V781WH - Matte White Reflector

##### Double Wall Wash

V782SPCL - Specular Clear *Alzak*<sup>®</sup> Reflector

V782SPGO - Specular Gold *Alzak*<sup>®</sup> Reflector

V782WH - Matte White Reflector

More Color Options Available See Page 6  
Factory Standard is a Low Iridescent *Alzak*<sup>®</sup> finish  
*Alzak*<sup>®</sup> is a registered trademark of ALCOA

### Accessories

EMG - Emergency Battery Back up

ITEMG - Internal Test Switch Emergency Battery

AD7 - Advance Mark VII Dimming Ballast

AD10 - Advance Mark X Dimming Ballast

LD - Lutron Dimming Ballast

CB517 - Caddy Bars (517)

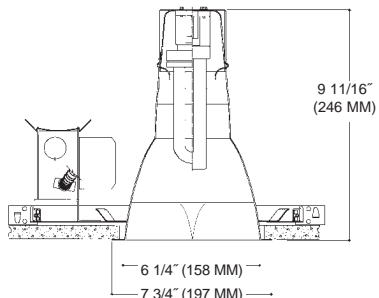
CB520 - Caddy Bars (520)

RM - Old Work Remodeler Housing

FS - Fuse



## PARABOLIC LOUVER REFLECTOR



Aperture: 6 1/4", Ceiling Cutout: 6 3/4", OD: 7 3/4"

### Housing

#### Part # Description

Electronic Universal Voltage Ballast

V7E113UV - 7" 13W (1) lamp 120/277V

V7E118UV - 7" 18W (1) lamp 120/277V

V7E126UV - 7" 26W (1) lamp 120/277V

V7E132UV - 7" 32W (1) lamp 120/277V

V7E142UV - 7" 42W (1) lamp 120/277V

#### Lamp Base:

Electronic 4 Pin

13W G24Q-1 18W G24Q-2 26W G24Q-3

32W GX24Q-3 42W GX24Q-4

Single piece hand spun low iridescent *Alzak*<sup>®</sup> reflector with 45° cutoff to lamp. Factory standard self trim flange with a white finish.

UL listed, thermally protected ballast with a reliability factor of -20° F and <10% THD.

Ballast mounted to a galvanized snap on cover for easy access and removal.

Prewired electrogalvanized heavy steel junction box listed for through branch circuit wiring with 1/2" & 3/4" pryouts.

Electrogalvanized plated steel housing with adjustable spring steel roto clips allowing for a quick trim installation.

**Ceiling insulation must be kept 3" away from housing.**

**Listed for damp locations and wet locations under covered canopy.**

### Trim

#### Part # Description

##### Parabolic Deep Cross Baffle

VXB711SPCL - Specular Clear *Alzak*<sup>®</sup> Reflector

VXB711SPGO - Specular Gold *Alzak*<sup>®</sup> Reflector

VXB711SPWT - Specular Wheat *Alzak*<sup>®</sup> Reflector

VXB711SPPW - Specular Pewter *Alzak*<sup>®</sup> Reflector

VXB711SPUM - Specular Umber *Alzak*<sup>®</sup> Reflector

VXB711SPBL - Specular Black *Alzak*<sup>®</sup> Reflector

VXB711WH - Matte White Reflector

More Color Options Available See Page 6  
Factory Standard is a Low Iridescent *Alzak*<sup>®</sup> finish  
*Alzak*<sup>®</sup> is a registered trademark of ALCOA

### Accessories

EMG - Emergency Battery Back up

ITEMG - Internal Test Switch Emergency Battery

AD7 - Advance Mark VII Dimming Ballast

AD10 - Advance Mark X Dimming Ballast

LD - Lutron Dimming Ballast

CB517 - Caddy Bars (517)

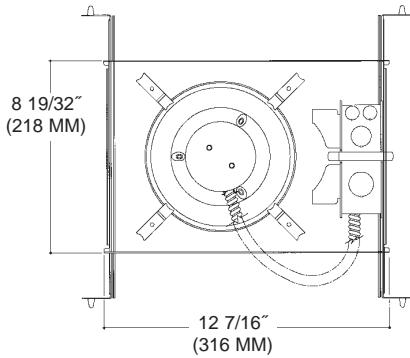
CB520 - Caddy Bars (520)

RM - Old Work Remodeler Housing

FS - Fuse



### 7" Vertical Compact Fluorescent

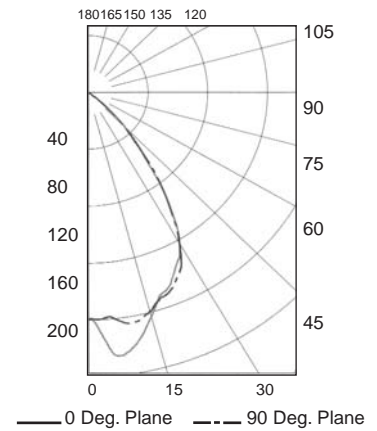


**Frame**  
**V7TE132UV**

**Reflector**  
**V711SPCL**

**LTL Test # 11224**

**Efficiency: 48.1%**  
**Total Lumens: 2400**  
**Lamp Source: 1x32W**  
Philips PL-T 32W/30/4P/Alto



#### Coefficients of Utilization

RC	80			70			50			30			10			0		
RW	70	50	30	10	70	50	30	10	50	30	10	50	30	10	50	30	10	0
0	57	57	57	57	56	56	56	56	53	53	53	51	51	51	49	49	49	48
1	55	53	52	51	53	52	51	50	50	49	49	49	48	47	46	46	46	45
2	52	50	48	46	51	49	47	45	47	46	44	46	45	44	44	43	43	42
3	49	46	44	42	48	45	43	41	44	42	41	43	41	40	42	41	40	39
4	47	43	40	38	46	42	40	38	41	39	37	40	38	37	39	38	37	36
5	44	40	37	35	43	39	37	35	38	36	34	38	36	34	37	35	34	33
6	42	37	34	32	41	37	34	32	36	34	32	35	33	32	35	33	31	31
7	39	35	32	29	39	34	31	29	34	31	29	33	31	29	32	30	29	28
8	37	32	29	27	36	32	29	27	31	29	27	31	28	27	30	28	26	26
9	34	29	26	24	34	29	26	24	29	26	24	28	26	24	28	26	24	23
10	32	27	24	22	32	27	24	22	27	24	22	26	24	22	26	23	22	21

#### Cone of Light

Ft below	FC nadir	Dia @ 50%
6.0	24.3	6.9
8.0	13.7	9.2
10.0	8.8	11.5
12.0	6.1	14.8
14.0	4.5	16.3
16.0	3.4	18.5

#### Frame Options

- REM** - Remote Mount Emergency Battery
- RIF** - Radio Interference Filter
- PFR** - Plaster Frame Extender (for ceilings up to 2" thick)
- SA\*\*** - Slope Ceiling Adaptor (white finish standard)
- CFM** - Custom Frame Modifications (consult factory)

\*\* - specify slope degrees in 5° increments up to 45°

#### Trim Options

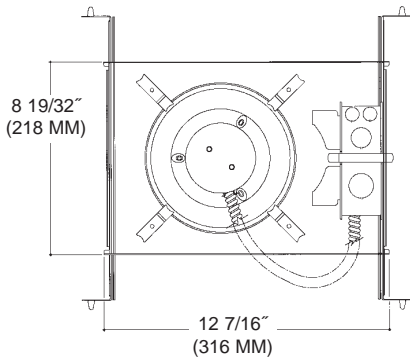
- PFL** - Polish Flange
- TLP** - Top Re-lamp Modifications
- FGSK** - Flange Gasket
- GR** - Goof Ring\*

\* - specify I.D. and O.D. standard white finish

#### Ballast Options

- H** - Magnetic HPF
- N** - Normal Power

### 7" Vertical Compact Fluorescent

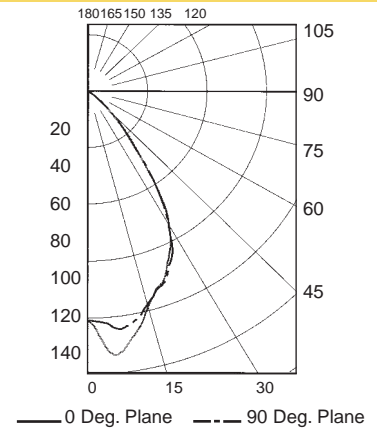


**Frame**  
**V7TE142UV**

**Reflector**  
**V711SPCL**

**LTL Test # 11225**

**Efficiency: 37.3%**  
**Total Lumens: 3200**  
**Lamp Source: 1x42W**  
Philips PL-T 42W/30/4P/Alto



#### Coefficients of Utilization

RC	80			70			50			30			10			0		
RW	70	50	30	10	70	50	30	10	50	30	10	50	30	10	50	30	10	0
0	44	44	44	44	43	43	43	43	41	41	41	40	40	40	38	38	38	37
1	43	42	41	40	42	41	40	39	39	39	38	38	37	37	37	36	36	35
2	40	39	37	36	40	38	37	36	37	36	35	36	35	34	35	34	33	33
3	39	36	34	33	38	36	34	33	35	33	32	34	33	32	33	32	31	31
4	37	34	32	30	36	33	31	30	33	31	30	32	30	29	31	30	29	28
5	35	32	29	28	34	31	29	28	30	29	27	30	28	27	29	28	27	26
6	33	30	27	26	32	29	27	26	29	27	26	28	27	25	28	26	25	25
7	31	28	25	24	31	27	25	24	27	25	24	27	25	24	26	25	23	23
8	29	26	23	22	29	26	23	22	25	23	22	25	23	22	24	23	22	21
9	28	24	22	20	27	24	21	20	23	21	20	23	21	20	23	21	20	19
10	26	22	20	18	26	22	20	18	22	20	18	21	20	18	21	19	18	18

#### Cone of Light

Ft below	FC nadir	Dia @ 50%
6.0	29.2	6.4
8.0	16.4	8.6
10.0	10.5	10.7
12.0	7.3	12.9
14.0	5.4	15.0
16.0	4.1	17.2

#### Frame Options

- REM** - Remote Mount Emergency Battery
- RIF** - Radio Interference Filter
- PFR** - Plaster Frame Extender (for ceilings up to 2" thick)
- SA\*\*** - Slope Ceiling Adaptor (white finish standard)
- CFM** - Custom Frame Modifications (consult factory)

\*\* - specify slope degrees in 5° increments up to 45°

#### Trim Options

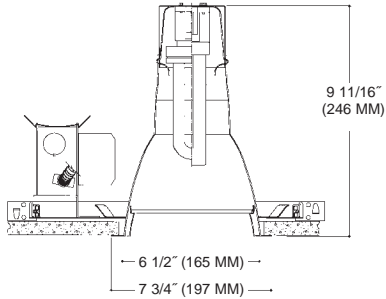
- PFL** - Polish Flange
- TLP** - Top Re-lamp Modifications
- FGSK** - Flange Gasket
- GR** - Goof Ring\*

\* - specify I.D. and O.D. standard white finish

#### Ballast Options

- H** - Magnetic HPF
- N** - Normal Power

## ENCLOSED LENS REFLECTOR



Aperture: 6 1/2", Ceiling Cutout: 6 3/4", OD: 7 3/4"

### Housing

#### Part # Description

Electronic Universal Voltage Ballast

V7E113UV - 7" 13W (1) lamp 120/277V

V7E118UV - 7" 18W (1) lamp 120/277V

V7E126UV - 7" 26W (1) lamp 120/277V

V7E132UV - 7" 32W (1) lamp 120/277V

V7E142UV - 7" 42W (1) lamp 120/277V

Lamp Base:

Electronic 4 Pin

13W G24Q-1 18W G24Q-2 26W G24Q-3

32W GX24Q-3 42W GX24Q-4

Single piece hand spun low iridescent *Alzak*<sup>®</sup> reflector with 45° cutoff to lamp. Factory standard self trim flange with a white finish.

UL listed, thermally protected ballast with a reliability factor of -20° F and <10% THD.

Ballast mounted to a galvanized snap on cover for easy access and removal.

Prewired electrogalvanized heavy steel junction box listed for through branch circuit wiring with 1/2" & 3/4" pryouts.

Electrogalvanized plated steel housing with adjustable spring steel roto clips allowing for a quick trim installation.

**Ceiling insulation must be kept 3" away from housing.**

**Listed for damp locations and wet locations under covered canopy.**

### Trim

#### Part # Description

C73 Prismatic Lens

V730SPCL- Specular Clear *Alzak*<sup>®</sup> Reflector

V730WH - Matte White Splay

Fresnel Lens

V732SPCL- Specular Clear *Alzak*<sup>®</sup> Reflector

V732WH - Matte White Splay

Clear Lens

V736SPCL- Specular Clear *Alzak*<sup>®</sup> Reflector

V736WH - Matte White Splay

**More Color Options Available See Page 6**

**Specular clear *Alzak*<sup>®</sup> reflector housing factory standard**

***Alzak*<sup>®</sup> is a registered trademark of ALCOA**

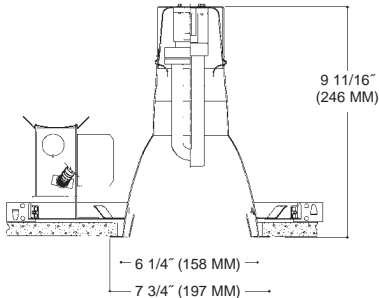
### Accessories

- EMG - Emergency Battery Back up
- AD7 - Advance Mark VII Dimming Ballast
- AD10 - Advance Mark X Dimming Ballast
- FS - Fuse

- LD - Lutron Dimming Ballast
- CB517 - Caddy Bars (517)
- CB520 - Caddy Bars (520)
- RM - Old Work Remodeler Housing



## ENCLOSED BAFFLED SPLAY & LENS REFLECTOR



Aperture: 6 1/4", Ceiling Cutout: 6 3/4", OD: 7 3/4"

### Housing

#### Part # Description

Electronic Universal Voltage Ballast

V7E113UV - 7" 13W (1) lamp 120/277V

V7E118UV - 7" 18W (1) lamp 120/277V

V7E126UV - 7" 26W (1) lamp 120/277V

V7E132UV - 7" 32W (1) lamp 120/277V

V7E142UV - 7" 42W (1) lamp 120/277V

Lamp Base:

Electronic 4 Pin

13W G24Q-1 18W G24Q-2 26W G24Q-3

32W GX24Q-3 42W GX24Q-4

Single piece hand spun low iridescent *Alzak*<sup>®</sup> reflector with 45° cutoff to lamp. Factory standard self trim flange with a white finish.

UL listed, thermally protected ballast with a reliability factor of -20° F and <10% THD.

Ballast mounted to a galvanized snap on cover for easy access and removal.

Prewired electrogalvanized heavy steel junction box listed for through branch circuit wiring with 1/2" & 3/4" pryouts.

Electrogalvanized plated steel housing with adjustable spring steel roto clips allowing for a quick trim installation.

**Ceiling insulation must be kept 3" away from housing.**

**Listed for damp locations and wet locations under covered canopy.**

### Trim

#### Part # Description

C73 Prismatic Lens

V760BL - Black Multi-Groove Baffle

V760WH - White Multi-Groove Baffle

Fresnel Lens

V762BL - Black Multi-Groove Baffle

V762WH - White Multi-Groove Baffle

Clear Lens

V766BL - Black Multi-Groove Baffle

V766WH - White Multi-Groove Baffle

**More Color Options Available See Page 6**

**Specular clear *Alzak*<sup>®</sup> reflector housing factory standard**

***Alzak*<sup>®</sup> is a registered trademark of ALCOA**

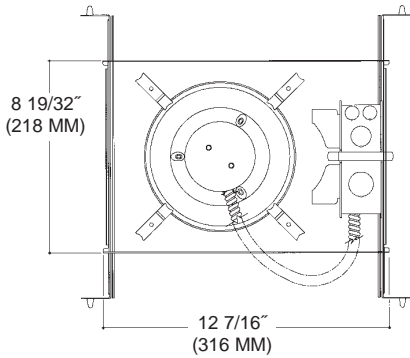
### Accessories

- EMG - Emergency Battery Back up
- AD7 - Advance Mark VII Dimming Ballast
- AD10 - Advance Mark X Dimming Ballast
- FS - Fuse

- LD - Lutron Dimming Ballast
- CB517 - Caddy Bars (517)
- CB520 - Caddy Bars (520)
- RM - Old Work Remodeler Housing



### 7" Vertical Compact Fluorescent

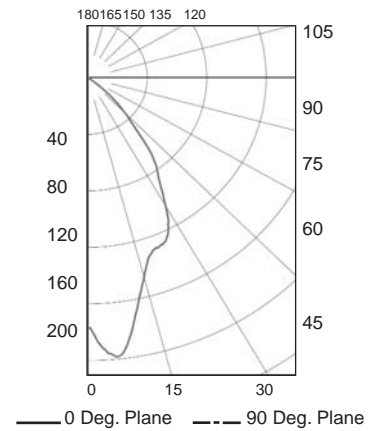


**Frame**  
**V7E113UV**

**Reflector**  
**V711SPCL**

**LTL Test # 11221**

**Efficiency: 55.2%**  
**Total Lumens: 900**  
**Lamp Source: 1x13W**  
Sylvania CF13DD/E/835



#### Coefficients of Utilization

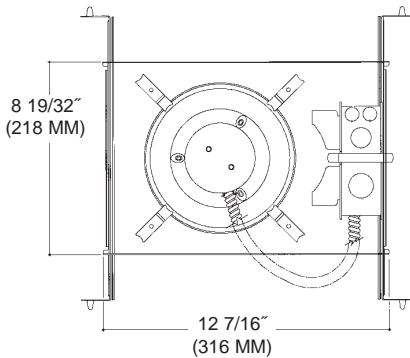
RC	80				70				50				30				10				0					
RW	70	50	30	10	70	50	30	10	50	30	10	50	30	10	50	30	10	50	30	10	50	30	10			
0	66	66	66	66	64	64	64	64	61	61	61	59	59	59	56	56	56	55	55	55	55	55	55	55	55	55
1	63	61	60	59	61	60	59	58	58	57	56	56	55	54	54	53	53	52	52	52	52	52	52	52	52	52
2	60	57	55	53	58	56	54	52	54	52	51	52	51	50	51	50	49	48	48	48	48	48	48	48	48	48
3	56	53	50	48	55	52	50	47	51	48	47	49	47	46	48	47	45	44	44	44	44	44	44	44	44	44
4	53	49	46	44	52	48	46	43	47	45	43	46	44	42	45	43	42	41	41	41	41	41	41	41	41	41
5	50	46	42	40	49	45	42	40	44	41	39	43	41	39	42	40	39	38	38	38	38	38	38	38	38	38
6	48	43	39	37	47	42	39	37	41	38	36	40	38	36	40	38	36	35	35	35	35	35	35	35	35	35
7	45	40	36	34	44	39	36	34	38	36	33	38	35	33	37	35	33	32	32	32	32	32	32	32	32	32
8	42	37	33	31	41	36	33	31	36	33	30	35	32	30	34	32	30	29	29	29	29	29	29	29	29	29
9	39	34	30	28	39	33	30	28	33	30	28	32	29	27	32	29	27	27	27	27	27	27	27	27	27	27
10	37	31	28	25	36	31	27	25	30	27	25	30	27	25	29	27	25	24	24	24	24	24	24	24	24	24

#### Cone of Light

Ft below	FC nadir	Dia @ 50%
6.0	12.3	5.9
8.0	6.9	7.8
10.0	4.4	9.8
12.0	3.1	11.7
14.0	2.3	13.7
16.0	1.7	15.6

Frame Options	Trim Options	Ballast Options
<b>REM</b> - Remote Mount Emergency Battery <b>RIF</b> - Radio Interference Filter <b>PFR</b> - Plaster Frame Extender (for ceilings up to 2" thick) <b>SA**</b> - Slope Ceiling Adaptor (white finish standard) <b>CFM</b> - Custom Frame Modifications (consult factory)	<b>PFL</b> - Polish Flange <b>TLP</b> - Top Re-lamp Modifications <b>FGSK</b> - Flange Gasket <b>GR</b> - Goof Ring*	<b>H</b> - Magnetic HPF <b>N</b> - Normal Power
** - specify slope degrees in 5° increments up to 45°	* - specify I.D. and O.D. standard white finish	

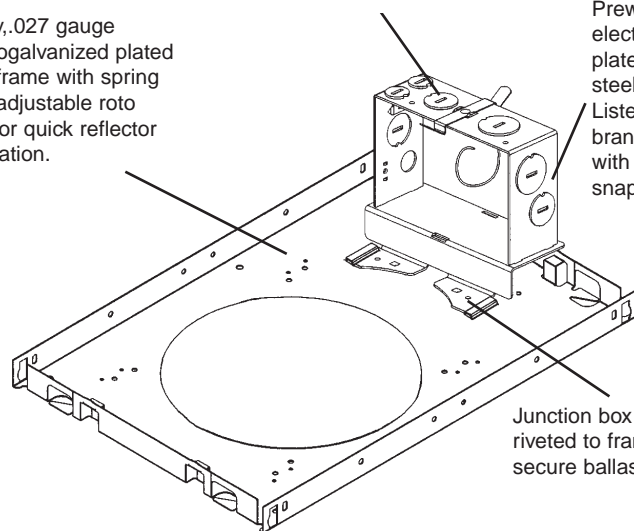
### 7" Vertical Compact Fluorescent



Heavy .027 gauge electrogalvanized plated steel frame with spring steel adjustable roto clips for quick reflector installation.

Multiple 1/2" and 3/4" pryouts.

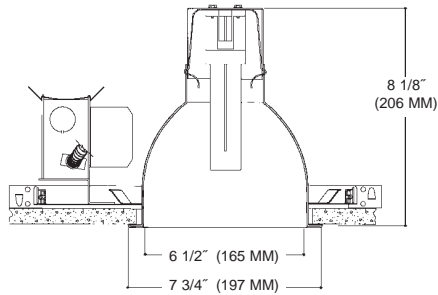
Prewired and grounded electrogalvanized plated heavy gauge steel junction box. Listed for through branch circuit wiring with two galvanized snap on covers



Junction box machine riveted to frame for secure ballast mounting

Frame Options	Trim Options	Ballast Options
<b>REM</b> - Remote Mount Emergency Battery <b>RIF</b> - Radio Interference Filter <b>PFR</b> - Plaster Frame Extender (for ceilings up to 2" thick) <b>SA**</b> - Slope Ceiling Adaptor (white finish standard) <b>CFM</b> - Custom Frame Modifications (consult factory)	<b>PFL</b> - Polish Flange <b>TLP</b> - Top Re-lamp Modifications <b>FGSK</b> - Flange Gasket <b>GR</b> - Goof Ring*	<b>H</b> - Magnetic HPF <b>N</b> - Normal Power
** - specify slope degrees in 5° increments up to 45°	* - specify I.D. and O.D. standard white finish	

## SHALLOW OPEN REFLECTOR



Aperture: 6 1/2", Ceiling Cutout: 6 3/4", OD: 7 3/4"

### Housing

Part #	Description
<b>Electronic Universal Voltage Ballast</b>	
V7E113UV	- 7" 13W (1) lamp 120/277V
V7E118UV	- 7" 18W (1) lamp 120/277V
V7E126UV	- 7" 26W (1) lamp 120/277V
<b>Lamp Base:</b>	
<i>Electronic 4 Pin</i>	
13W G24Q-1	18W G24Q-2 26W G24Q-3

### Trim

Part #	Description
VS710SPCL	- Specular Clear Alzak® Reflector
VS710SPGO	- Specular Gold Alzak® Reflector
VS710SPWT	- Specular Wheat Alzak® Reflector
VS710SPPW	- Specular Pewter Alzak® Reflector
VS710SPUM	- Specular Umber Alzak® Reflector
VS710SPBL	- Specular Black Alzak® Reflector
VS710SPWH	- Matte White

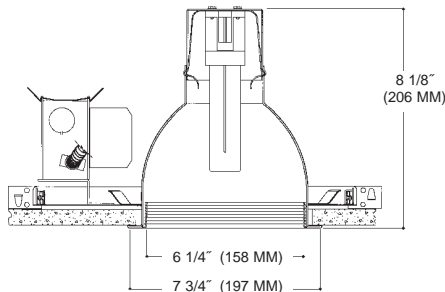
More Color Options Available See Page 6  
 Factory Standard is a Low Iridescent Alzak® finish  
 Alzak® is a registered trademark of ALCOA

### Accessories

EMG	- Emergency Battery Back up	LD	- Lutron Dimming Ballast	FS	- Fuse
ITEMG	- Internal Test Switch Emergency Battery	CB517	- Caddy Bars (517)		
AD7	- Advance Mark VII Dimming Ballast	CB520	- Caddy Bars (520)		
AD10	- Advance Mark X Dimming Ballast	RM	- Old Work Remodeler Housing		



## SHALLOW OPEN BAFFLE REFLECTOR



Aperture: 6 1/4", Ceiling Cutout: 6 3/4", OD: 7 3/4"

### Housing

Part #	Description
<b>Electronic Universal Voltage Ballast</b>	
V7E113UV	- 7" 13W (1) lamp 120/277V
V7E118UV	- 7" 18W (1) lamp 120/277V
V7E126UV	- 7" 26W (1) lamp 120/277V
V7E132UV	- 7" 32W (1) lamp 120/277V
V7E142UV	- 7" 42W (1) lamp 120/277V
<b>Lamp Base:</b>	
<i>Electronic 4 Pin</i>	
13W G24Q-1	18W G24Q-2 26W G24Q-3
32W GX24Q-3	42W GX24Q-4

### Trim

Part #	Description
<b>Black Multi-Groove Baffle</b>	
VS723SPCL	- Specular Clear Alzak® Reflector
VS723SPGO	- Specular Gold Alzak® Reflector
VS723WH	- Matte White Reflector
<b>White Multi-Groove Baffle</b>	
VS724SPCL	- Specular Clear Alzak® Reflector
VS724SPGO	- Specular Gold Alzak® Reflector
VS724WH	- Matte White Reflector

More Color Options Available See Page 6  
 Factory Standard is a Low Iridescent Alzak® finish  
 Alzak® is a registered trademark of ALCOA

### Accessories

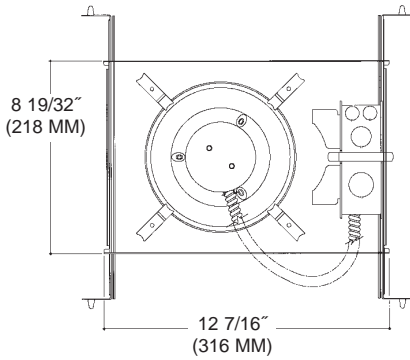
EMG	- Emergency Battery Back up	LD	- Lutron Dimming Ballast	FS	- Fuse
ITEMG	- Internal Test Switch Emergency Battery	CB517	- Caddy Bars (517)		
AD7	- Advance Mark VII Dimming Ballast	CB520	- Caddy Bars (520)		
AD10	- Advance Mark X Dimming Ballast	RM	- Old Work Remodeler Housing		



7"

Vertical Compact Fluorescent (quad Lamp)

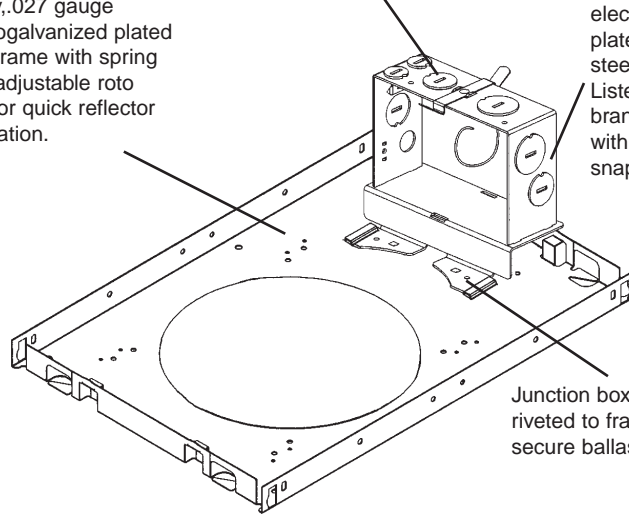
### 7" Vertical Compact Fluorescent



Heavy, .027 gauge electrogalvanized plated steel frame with spring steel adjustable roto clips for quick reflector installation.

Multiple 1/2" and 3/4" pryouts.

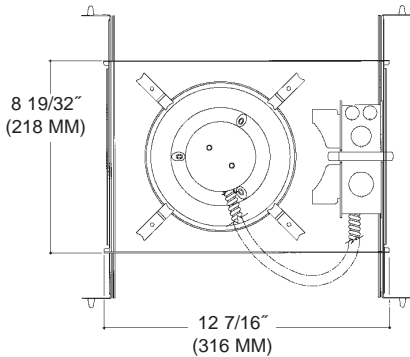
Prewired and grounded electrogalvanized plated heavy gauge steel junction box. Listed for through branch circuit wiring with two galvanized snap on covers



Junction box machine riveted to frame for secure ballast mounting

Frame Options	Trim Options	Ballast Options
<b>REM</b> - Remote Mount Emergency Battery <b>RIF</b> - Radio Interference Filter <b>PFR</b> - Plaster Frame Extender (for ceilings up to 2" thick) <b>SA**</b> - Slope Ceiling Adaptor (white finish standard) <b>CFM</b> - Custom Frame Modifications (consult factory)	<b>PFL</b> - Polish Flange <b>TLP</b> - Top Re-lamp Modifications <b>FGSK</b> - Flange Gasket <b>GR</b> - Goof Ring*	<b>H</b> - Magnetic HPF <b>N</b> - Normal Power
** - specify slope degrees in 5° increments up to 45°	* - specify I.D. and O.D. standard white finish	

### 7" Vertical Compact Fluorescent



#### Additional Product Info

##### Reflector

Single piece hand spun low iridescent Alzak® reflector with standard self trim flange and a white trim finish. 45° Lamp cutoff allows for a better visual cutoff then generally available.

High polish flange, white and black trim finish's available consult factory.

##### Socket

Aluminum, heat disipating socket cup vertically mounts to reflector by means of a firm locking adjustable husk clip. UL Listed, 2 pin or 4 pin high thermo plastic socket.

##### Ballast

UL Listed, thermally protected prograded start ballast with a reliability factor of -20° F and <10% THD. End of lamp life (EOL) shutdown circuit protected.

Ballast mounted to a galvanized snap on cover, mounted to junction box which is serviceable from below. Programed Start (1.0-1.5 second without flicker) ballasts are designed to provide max. lamplife in frequent lamp starting applications.

##### Frame

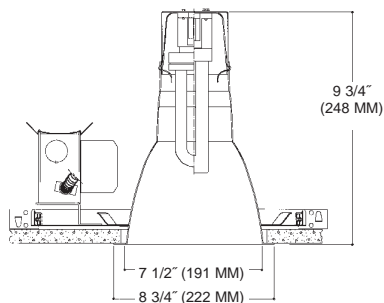
Prewired electrogalvanized heavy steel junction box listed for through branch circuit wiring with 1/2" & 3/4" pryouts. Electrogalvanized plated steel housing with adjustable spring steel roto clips allowing for a quick trim installation.

Housing accomodates any ceilings with a max. thickness of 1 3/4"

Same housing accomodates an open, lens, or wall wash reflector.

Frame Options	Trim Options	Ballast Options
<b>REM</b> - Remote Mount Emergency Battery <b>RIF</b> - Radio Interference Filter <b>PFR</b> - Plaster Frame Extender (for ceilings up to 2" thick) <b>SA**</b> - Slope Ceiling Adaptor (white finish standard) <b>CFM</b> - Custom Frame Modifications (consult factory)	<b>PFL</b> - Polish Flange <b>TLP</b> - Top Re-lamp Modifications <b>FGSK</b> - Flange Gasket <b>GR</b> - Goof Ring*	<b>H</b> - Magnetic HPF <b>N</b> - Normal Power
** - specify slope degrees in 5° increments up to 45°	* - specify I.D. and O.D. standard white finish	

## OPEN REFLECTOR



Aperture: 7 1/2", Ceiling Cutout: 7 3/4", OD: 8 3/4"

### Housing

Part #	Description
<b>Electronic Universal Voltage Ballast</b>	
V8E113UV	- 8" 13W (1) lamp 120/277V
V8E118UV	- 8" 18W (1) lamp 120/277V
V8E126UV	- 8" 26W (1) lamp 120/277V
V8E132UV	- 8" 32W (1) lamp 120/277V
V8E142UV	- 8" 42W (1) lamp 120/277V
V8E157UV	- 8" 57W (1) lamp 120/277V
<b>Lamp Base:</b>	
<i>Electronic 4 Pin</i>	
13W G24Q-1	18W G24Q-2 26W G24Q-3
32W GX24Q-3	42W GX24Q-4 57W GX24Q-5

### Trim

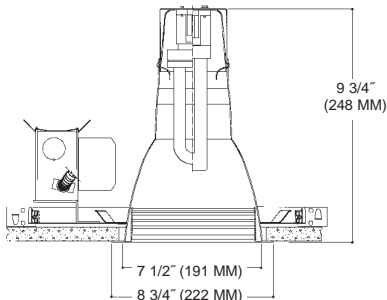
Part #	Description
V811SPCL	- Specular Clear Alzak® Reflector
V811SPGO	- Specular Gold Alzak® Reflector
V811SPWT	- Specular Wheat Alzak® Reflector
V811SPPW	- Specular Pewter Alzak® Reflector
V811SPUM	- Specular Umber Alzak® Reflector
V811SPBL	- Specular Black Alzak® Reflector
V811SPWH	- Matte White
<b>More Color Options Available See Page 6</b>	
<b>Factory Standard is a Low Iridescent Alzak® finish</b>	
<i>Alzak® is a registered trademark of ALCOA</i>	

### Accessories

EMG	- Emergency Battery Back up	LD	- Lutron Dimming Ballast	FS	- Fuse
ITEMG	- Internal Test Switch Emergency Battery	CB517	- Caddy Bars (517)		
AD7	- Advance Mark VII Dimming Ballast	CB520	- Caddy Bars (520)		
AD10	- Advance Mark X Dimming Ballast	RM	- Old Work Remodeler Housing		



## OPEN BAFFLE REFLECTOR



Aperture: 7 1/2", Ceiling Cutout: 7 3/4", OD: 8 3/4"

### Housing

Part #	Description
<b>Electronic Universal Voltage Ballast</b>	
V8E113UV	- 8" 13W (1) lamp 120/277V
V8E118UV	- 8" 18W (1) lamp 120/277V
V8E126UV	- 8" 26W (1) lamp 120/277V
V8E132UV	- 8" 32W (1) lamp 120/277V
V8E142UV	- 8" 42W (1) lamp 120/277V
V8E157UV	- 8" 57W (1) lamp 120/277V
<b>Lamp Base:</b>	
<i>Electronic 4 Pin</i>	
13W G24Q-1	18W G24Q-2 26W G24Q-3
32W GX24Q-3	42W GX24Q-4 57W GX24Q-5

### Trim

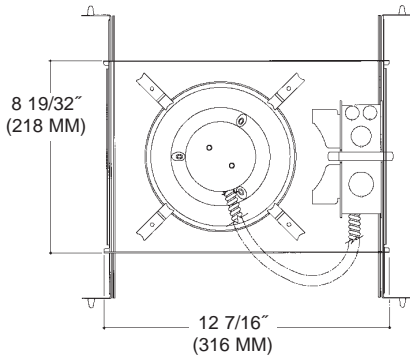
Part #	Description
<b>Black Multi-Groove Baffle</b>	
V823SPCL	- Specular Clear Alzak® Reflector
V823SPGO	- Specular Gold Alzak® Reflector
V823WH	- Matte White Reflector
<b>White Multi-Groove Baffle</b>	
V824SPCL	- Specular Clear Alzak® Reflector
V824SPGO	- Specular Gold Alzak® Reflector
V824WH	- Matte White Reflector
<b>More Color Options Available See Page 6</b>	
<b>Factory Standard is a Low Iridescent Alzak® finish</b>	
<i>Alzak® is a registered trademark of ALCOA</i>	

### Accessories

EMG	- Emergency Battery Back up	LD	- Lutron Dimming Ballast	FS	- Fuse
ITEMG	- Internal Test Switch Emergency Battery	CB517	- Caddy Bars (517)		
AD7	- Advance Mark VII Dimming Ballast	CB520	- Caddy Bars (520)		
AD10	- Advance Mark X Dimming Ballast	RM	- Old Work Remodeler Housing		



### 8" Vertical Compact Fluorescent

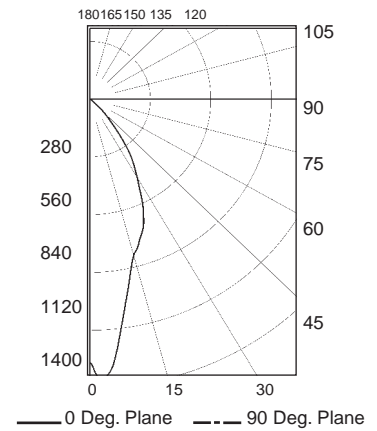


**Frame**  
**V8E126UV**

**Reflector**  
**V811SPCL**

**LTL Test # 11227**

**Efficiency: 48.8%**  
**Total Lumens: 1800**  
**Lamp Source: 1x26W**  
Sylvania CF26DD/E/835



#### Coefficients of Utilization

RC	80				70				50				30				10				0			
RW	70	50	30	10	70	50	30	10	50	30	10	50	30	10	50	30	10	50	30	10	50	30	10	
0	58	58	58	58	57	57	57	57	54	54	54	52	52	52	50	50	50	49						
1	56	54	53	52	54	5	3	52	51	51	50	49	49	48	48	47	47	46						
2	53	51	49	47	52	50	48	47	48	47	46	47	46	45	46	45	44	43						
3	51	48	45	43	50	47	45	43	46	44	42	44	43	42	43	42	41	40						
4	48	45	42	40	47	44	42	40	43	41	39	42	40	39	41	40	38	38						
5	46	42	39	37	45	41	39	37	40	38	36	40	38	36	39	37	36	35						
6	44	39	37	35	43	39	36	34	38	36	34	38	36	34	37	35	34	33						
7	41	37	34	32	41	37	34	32	36	34	32	35	33	32	35	33	32	31						
8	39	35	32	30	39	34	32	30	34	31	30	33	31	29	33	31	29	29						
9	37	32	29	27	36	32	29	27	32	29	27	31	29	27	31	29	27	26						
10	35	30	27	25	34	30	27	25	29	27	25	29	27	25	29	27	25	24						

#### Cone of Light

Ft below	FC nadir	Dia @ 50%
6.0	35.4	3.8
8.0	19.9	5.1
10.0	12.8	6.4
12.0	8.9	7.7
14.0	6.5	9.0
16.0	5.0	10.3

#### Frame Options

- REM** - Remote Mount Emergency Battery
- RIF** - Radio Interference Filter
- PFR** - Plaster Frame Extender (for ceilings up to 2" thick)
- SA\*\*** - Slope Ceiling Adaptor (white finish standard)
- CFM** - Custom Frame Modifications (consult factory)

\*\* - specify slope degrees in 5° increments up to 45°

#### Trim Options

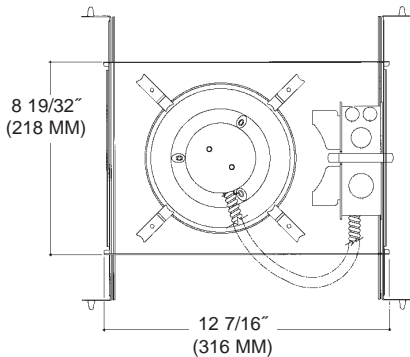
- PFL** - Polish Flange
- TLP** - Top Re-lamp Modifications
- FGSK** - Flange Gasket
- GR** - Goof Ring\*

\* - specify I.D. and O.D. standard white finish

#### Ballast Options

- H** - Magnetic HPF
- N** - Normal Power

### 8" Vertical Compact Fluorescent

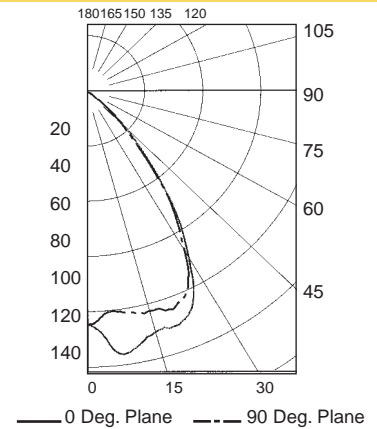


**Frame**  
**V8TE126UV**

**Reflector**  
**V811SPCL**

**LTL Test # 11228**

**Efficiency: 58.2%**  
**Total Lumens: 1800**  
**Lamp Source: 1x26W**  
Philips PL-T 26W/30/4P/Alto



#### Coefficients of Utilization

RC	80				70				50				30				10				0			
RW	70	50	30	10	70	50	30	10	50	30	10	50	30	10	50	30	10	50	30	10	50	30	10	
0	69	69	69	69	68	68	68	68	65	65	65	62	62	62	59	59	59	58						
1	66	65	63	62	65	63	62	61	61	60	59	59	58	57	57	56	56	55						
2	63	60	58	56	62	59	57	55	57	55	54	55	54	53	54	53	52	51						
3	60	56	53	51	58	55	52	50	54	51	49	52	50	49	51	49	48	47						
4	56	52	49	46	55	51	48	46	50	47	45	49	47	45	48	46	44	43						
5	53	48	45	42	52	48	44	42	47	44	42	46	43	41	45	43	41	40						
6	50	45	41	39	50	45	41	39	44	41	39	43	40	38	42	40	38	37						
7	48	42	38	36	47	42	38	36	41	38	35	40	37	35	39	37	35	34						
8	45	39	35	33	44	38	35	32	38	35	32	37	34	32	37	34	32	31						
9	42	36	32	29	41	35	32	29	35	31	29	34	31	29	34	31	29	28						
10	39	33	29	27	38	33	29	27	32	29	27	32	29	27	31	28	26	26						

#### Cone of Light

Ft below	FC nadir	Dia @ 50%
6.0	21.2	7.2
8.0	11.9	9.6
10.0	7.6	11.9
12.0	5.3	14.3
14.0	3.9	16.7
16.0	3.0	19.1

#### Frame Options

- REM** - Remote Mount Emergency Battery
- RIF** - Radio Interference Filter
- PFR** - Plaster Frame Extender (for ceilings up to 2" thick)
- SA\*\*** - Slope Ceiling Adaptor (white finish standard)
- CFM** - Custom Frame Modifications (consult factory)

\*\* - specify slope degrees in 5° increments up to 45°

#### Trim Options

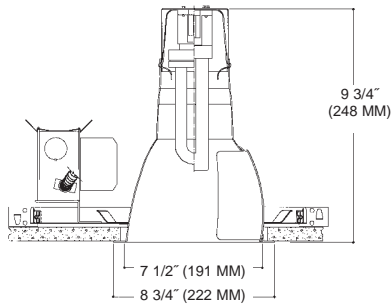
- PFL** - Polish Flange
- TLP** - Top Re-lamp Modifications
- FGSK** - Flange Gasket
- GR** - Goof Ring\*

\* - specify I.D. and O.D. standard white finish

#### Ballast Options

- H** - Magnetic HPF
- N** - Normal Power

## OPEN WALL WASH REFLECTOR



Aperture: 7 1/2", Ceiling Cutout: 7 3/4", OD: 8 3/4"

### Housing

Part #	Description
<b>Electronic Universal Voltage Ballast</b>	
V8E113UV	- 8" 13W (1) lamp 120/277V
V8E118UV	- 8" 18W (1) lamp 120/277V
V8E126UV	- 8" 26W (1) lamp 120/277V
V8E132UV	- 8" 32W (1) lamp 120/277V
V8E142UV	- 8" 42W (1) lamp 120/277V
V8E157UV	- 8" 57W (1) lamp 120/277V
<b>Lamp Base:</b>	
<i>Electronic 4 Pin</i>	
13W G24Q-1	18W G24Q-2 26W G24Q-3
32W GX24Q-3	42W GX24Q-4 57W GX24Q-5

### Trim

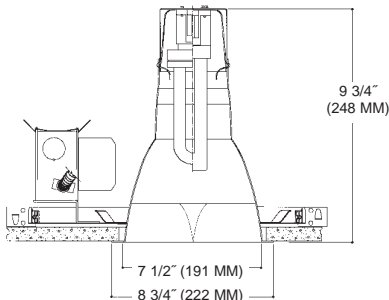
Part #	Description
<b>Single Wall Wash</b>	
V881SPCL	- Specular Clear Alzak® Reflector
V881SPGO	- Specular Gold Alzak® Reflector
V881WH	- Matte White Reflector
<b>Double Wall Wash</b>	
V882SPCL	- Specular Clear Alzak® Reflector
V882SPGO	- Specular Gold Alzak® Reflector
V882WH	- Matte White Reflector
<b>More Color Options Available See Page 6</b>	
<b>Factory Standard is a Low Iridescent Alzak® finish</b>	
<i>Alzak® is a registered trademark of ALCOA</i>	

### Accessories

<b>EMG</b> - Emergency Battery Back up	<b>LD</b> - Lutron Dimming Ballast	<b>FS</b> - Fuse
<b>ITEMG</b> - Internal Test Switch Emergency Battery	<b>CB517</b> - Caddy Bars (517)	
<b>AD7</b> - Advance Mark VII Dimming Ballast	<b>CB520</b> - Caddy Bars (520)	
<b>AD10</b> - Advance Mark X Dimming Ballast	<b>RM</b> - Old Work Remodeler Housing	



## PARABOLIC LOUVER REFLECTOR



Aperture: 7 1/2", Ceiling Cutout: 7 3/4", OD: 8 3/4"

### Housing

Part #	Description
<b>Electronic Universal Voltage Ballast</b>	
V8E113UV	- 8" 13W (1) lamp 120/277V
V8E118UV	- 8" 18W (1) lamp 120/277V
V8E126UV	- 8" 26W (1) lamp 120/277V
V8E132UV	- 8" 32W (1) lamp 120/277V
V8E142UV	- 8" 42W (1) lamp 120/277V
<b>Lamp Base:</b>	
<i>Electronic 4 Pin</i>	
13W G24Q-1	18W G24Q-2 26W G24Q-3
32W GX24Q-3	42W GX24Q-4

### Trim

Part #	Description
<b>Parabolic Louver Baffle</b>	
VXB811SPCL	- Specular Clear Alzak® Reflector
VXB811SPGO	- Specular Gold Alzak® Reflector
VXB811SPWT	- Specular Wheat Alzak® Reflector
VXB811SPPW	- Specular Pewter Alzak® Reflector
VXB811SPUM	- Specular Umber Alzak® Reflector
VXB811SPBL	- Specular Black Alzak® Reflector
VXB811WH	- Matte White Reflector
<b>More Color Options Available See Page 6</b>	
<b>Factory Standard is a Low Iridescent Alzak® finish</b>	
<i>Alzak® is a registered trademark of ALCOA</i>	

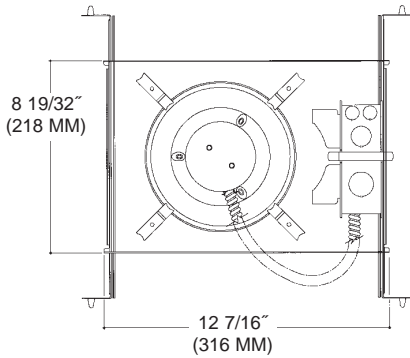
### Accessories

<b>EMG</b> - Emergency Battery Back up	<b>LD</b> - Lutron Dimming Ballast	<b>FS</b> - Fuse
<b>ITEMG</b> - Internal Test Switch Emergency Battery	<b>CB517</b> - Caddy Bars (517)	
<b>AD7</b> - Advance Mark VII Dimming Ballast	<b>CB520</b> - Caddy Bars (520)	
<b>AD10</b> - Advance Mark X Dimming Ballast	<b>RM</b> - Old Work Remodeler Housing	



80" Vertical Compact Fluorescent (quad and Triple Tube Lamp)

### 8" Vertical Compact Fluorescent

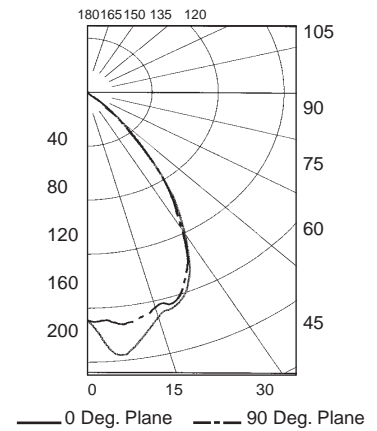


**Frame**  
**V8TE132UV**

**Reflector**  
**V811SPCL**

**LTL Test # 11229**

**Efficiency: 52.8%**  
**Total Lumens: 2400**  
**Lamp Source: 1x32W**  
Philips PL-T 32W/30/4P/Alto



#### Coefficients of Utilization

RC	80			70			50			30			10			0				
RW	70	50	30	10	70	50	30	10	50	30	10	50	30	10	50	30	10	50	30	10
0	63	63	63	63	61	61	61	61	59	59	59	56	56	56	54	54	54	53		
1	60	59	57	56	59	58	56	55	55	54	54	53	53	52	51	51	50	50		
2	57	55	53	51	56	54	52	50	52	50	49	50	49	48	47	46	46	46		
3	54	51	48	46	53	50	48	46	49	47	45	48	46	44	46	45	44	43		
4	51	47	44	42	50	47	44	42	46	43	41	45	43	41	44	42	41	40		
5	49	44	41	39	48	44	41	38	43	40	38	42	40	38	41	39	37	37		
6	46	41	38	36	45	41	38	36	40	37	35	39	37	35	39	37	35	34		
7	44	39	35	33	43	38	35	33	38	35	33	37	34	33	36	34	32	32		
8	41	36	32	30	40	35	32	30	35	32	30	34	32	30	34	31	30	29		
9	38	33	30	27	38	33	30	27	32	29	27	32	29	27	31	29	27	26		
10	36	31	27	25	35	30	27	25	30	27	25	29	27	25	29	27	25	24		

#### Cone of Light

Ft	FC	Dia @
below	nadir	50%
6.0	28.1	6.7
8.0	15.8	8.9
10.0	10.1	11.1
12.0	7.0	13.3
14.0	5.2	15.6
16.0	4.0	17.8

#### Frame Options

- REM** - Remote Mount Emergency Battery
- RIF** - Radio Interference Filter
- PFR** - Plaster Frame Extender (for ceilings up to 2" thick)
- SA\*\*** - Slope Ceiling Adaptor (white finish standard)
- CFM** - Custom Frame Modifications (consult factory)

\*\* - specify slope degrees in 5° increments up to 45°

#### Trim Options

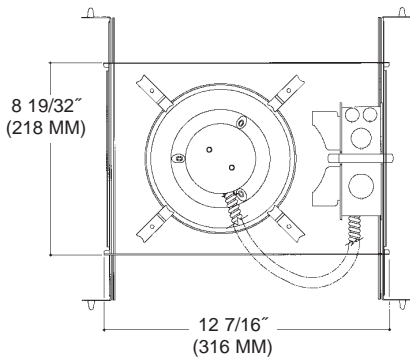
- PFL** - Polish Flange
- TLP** - Top Re-lamp Modifications
- FGSK** - Flange Gasket
- GR** - Goof Ring\*

\* - specify I.D. and O.D. standard white finish

#### Ballast Options

- H** - Magnetic HPF
- N** - Normal Power

### 8" Vertical Compact Fluorescent

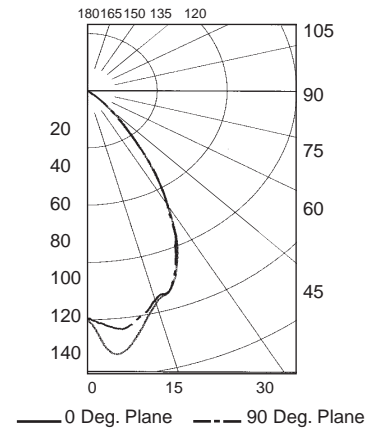


**Frame**  
**V8TE142UV**

**Reflector**  
**V811SPCL**

**LTL Test # 11230**

**Efficiency: 42.3%**  
**Total Lumens: 3200**  
**Lamp Source: 1x42W**  
Philips PL-T 42W/30/4P



#### Coefficients of Utilization

RC	80			70			50			30			10			0				
RW	70	50	30	10	70	50	30	10	50	30	10	50	30	10	50	30	10	50	30	10
0	50	50	50	50	49	49	49	49	47	47	47	45	45	45	43	43	43	42		
1	48	47	46	45	47	46	45	44	44	44	43	43	42	42	41	41	41	40		
2	46	44	42	41	45	43	42	41	42	41	40	41	40	39	39	38	37	37		
3	44	41	39	38	43	41	39	37	39	38	37	38	37	36	38	36	36	35		
4	42	38	36	34	41	38	36	34	37	35	34	36	35	33	35	34	33	32		
5	39	36	34	32	39	36	33	32	35	33	31	34	32	31	33	32	31	30		
6	38	34	31	30	37	34	31	30	33	31	29	32	31	29	32	30	29	28		
7	36	32	29	28	35	31	29	27	31	29	27	30	29	27	30	28	27	26		
8	34	30	27	25	33	29	27	25	29	27	25	28	26	25	28	26	25	24		
9	32	27	25	23	31	27	25	23	27	25	23	26	24	23	26	24	23	22		
10	30	26	23	21	29	25	23	21	25	23	21	25	23	21	24	22	21	21		

#### Cone of Light

Ft	FC	Dia @
below	nadir	50%
6.0	21.2	7.2
8.0	11.9	9.6
10.0	7.6	11.9
12.0	5.3	14.3
14.0	3.9	16.7
16.0	3.0	19.1

#### Frame Options

- REM** - Remote Mount Emergency Battery
- RIF** - Radio Interference Filter
- PFR** - Plaster Frame Extender (for ceilings up to 2" thick)
- SA\*\*** - Slope Ceiling Adaptor (white finish standard)
- CFM** - Custom Frame Modifications (consult factory)

\*\* - specify slope degrees in 5° increments up to 45°

#### Trim Options

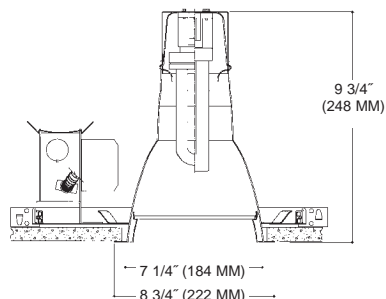
- PFL** - Polish Flange
- TLP** - Top Re-lamp Modifications
- FGSK** - Flange Gasket
- GR** - Goof Ring\*

\* - specify I.D. and O.D. standard white finish

#### Ballast Options

- H** - Magnetic HPF
- N** - Normal Power

## ENCLOSED LENS REFLECTOR



Aperture: 7 1/4", Ceiling Cutout: 7 3/4", OD: 8 3/4"

### Housing

#### Part # Description

Electronic Universal Voltage Ballast

V8E113UV - 8" 13W (1) lamp 120/277V

V8E118UV - 8" 18W (1) lamp 120/277V

V8E126UV - 8" 26W (1) lamp 120/277V

V8E132UV - 8" 32W (1) lamp 120/277V

V8E142UV - 8" 42W (1) lamp 120/277V

#### Lamp Base:

Electronic 4 Pin

13W G24Q-1 18W G24Q-2 26W G24Q-3

32W GX24Q-3 42W GX24Q-4

Single piece hand spun low iridescent *Alzak*® reflector with 45° cutoff to lamp. Factory standard self trim flange with a white finish.

UL listed, thermally protected ballast with a reliability factor of -20° F and <10% THD.

Ballast mounted to a galvanized snap on cover for easy access and removal.

Prewired electrogalvanized heavy steel junction box listed for through branch circuit wiring with 1/2" & 3/4" pryouts.

Electrogalvanized plated steel housing with adjustable spring steel roto clips allowing for a quick trim installation.

**Ceiling insulation must be kept 3" away from housing.**

**Listed for damp locations and wet locations under covered canopy.**

### Trim

#### Part # Description

C73 Prismatic Lens

V830SPCL - Specular Clear *Alzak*® Reflector

V830WH - Matte White Splay

Fresnel Lens

V832SPCL - Specular Clear *Alzak*® Reflector

V832WH - Matte White Splay

Clear Lens

V836SPCL - Specular Clear *Alzak*® Reflector

V836WH - Matte White Splay

**More Color Options Available See Page 6**

**Specular clear *Alzak*® reflector housing factory standard**

***Alzak*® is a registered trademark of ALCOA**

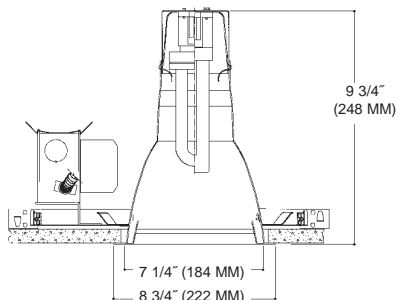
### Accessories

- EMG - Emergency Battery Back up
- AD7 - Advance Mark VII Dimming Ballast
- AD10 - Advance Mark X Dimming Ballast
- FS - Fuse

- LD - Lutron Dimming Ballast
- CB517 - Caddy Bars (517)
- CB520 - Caddy Bars (520)
- RM - Old Work Remodeler Housing



## ENCLOSED BAFFLED SPLAY & LENS REFLECTOR



Aperture: 7 1/4", Ceiling Cutout: 7 3/4", OD: 8 3/4"

### Housing

#### Part # Description

Electronic Universal Voltage Ballast

V8E113UV - 8" 13W (1) lamp 120/277V

V8E118UV - 8" 18W (1) lamp 120/277V

V8E126UV - 8" 26W (1) lamp 120/277V

V8E132UV - 8" 32W (1) lamp 120/277V

V8E142UV - 8" 42W (1) lamp 120/277V

#### Lamp Base:

Electronic 4 Pin

13W G24Q-1 18W G24Q-2 26W G24Q-3

32W GX24Q-3 42W GX24Q-4

Single piece hand spun low iridescent *Alzak*® reflector with 45° cutoff to lamp. Factory standard self trim flange with a white finish.

UL listed, thermally protected ballast with a reliability factor of -20° F and <10% THD.

Ballast mounted to a galvanized snap on cover for easy access and removal.

Prewired electrogalvanized heavy steel junction box listed for through branch circuit wiring with 1/2" & 3/4" pryouts.

Electrogalvanized plated steel housing with adjustable spring steel roto clips allowing for a quick trim installation.

**Ceiling insulation must be kept 3" away from housing.**

**Listed for damp locations and wet locations under covered canopy.**

### Trim

#### Part # Description

C73 Prismatic Lens

V860BL - Black Multi-Groove Baffle

V860WH - Black Multi-Groove Baffle

Fresnel Lens

V862BL - Black Multi-Groove Baffle

V862WH - White Multi-Groove Baffle

Clear Lens

V866BL - Black Multi-Groove Baffle

V866WH - White Multi-Groove Baffle

**More Color Options Available See Page 6**

**Specular clear *Alzak*® reflector housing factory standard**

***Alzak*® is a registered trademark of ALCOA**

### Accessories

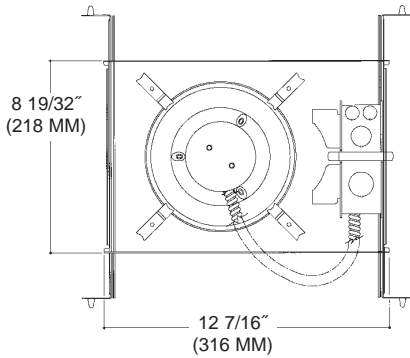
- EMG - Emergency Battery Back up
- AD7 - Advance Mark VII Dimming Ballast
- AD10 - Advance Mark X Dimming Ballast
- FS - Fuse

- LD - Lutron Dimming Ballast
- CB517 - Caddy Bars (517)
- CB520 - Caddy Bars (520)
- RM - Old Work Remodeler Housing



80" Vertical Compact Fluorescent (quad and Triple Tube Lamp)

### 8" Vertical Compact Fluorescent

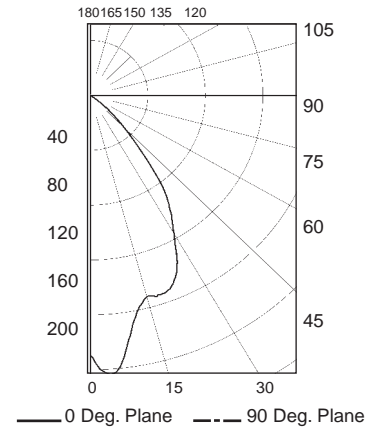


**Frame**  
**V8E113UV**

**Reflector**  
**V811SPCL**

**LTL Test # 11226**

**Efficiency: 59.5%**  
**Total Lumens: 900**  
**Lamp Source: 1x13W**  
Sylvania CF13DD/E/835



#### Coefficients of Utilization

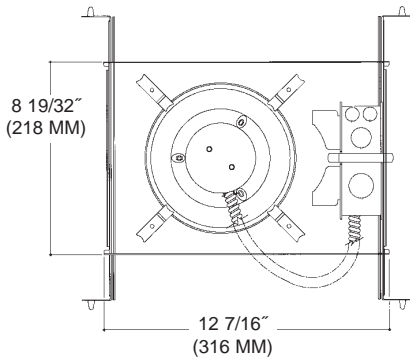
RC	80				70				50				30				10				0			
	RW	70	50	30	10	70	50	30	10	50	30	10	50	30	10	50	30	10	50	30	10	0		
0	71	71	71	71	69	69	69	69	66	66	66	63	63	63	61	61	61	60						
1	68	66	65	63	66	65	63	62	62	61	60	60	59	58	58	57	57	56						
2	64	61	59	57	63	60	58	56	58	57	55	57	55	54	55	54	53	52						
3	61	57	54	52	60	56	53	51	55	52	50	53	51	50	52	50	49	48						
4	58	53	50	47	56	52	49	47	51	48	46	50	48	46	49	47	45	44						
5	54	49	46	43	53	49	45	43	48	45	42	47	44	42	46	43	42	41						
6	51	46	42	40	51	46	42	40	45	42	39	44	41	39	43	41	39	38						
7	49	43	39	36	48	42	39	36	42	38	36	41	38	36	40	38	36	35						
8	46	39	36	33	45	39	36	33	38	35	33	38	35	33	37	35	33	32						
9	43	36	33	30	42	36	32	30	35	32	30	35	32	30	34	32	30	29						
10	40	34	30	27	39	33	30	27	33	29	27	32	29	27	32	29	27	26						

#### Cone of Light

Ft below	FC nadir	Dia @ 50%
6.0	13.2	6.1
8.0	7.4	8.1
10.0	4.7	10.1
12.0	3.3	12.1
14.0	2.4	14.1
16.0	1.9	16.2

Frame Options	Trim Options	Ballast Options
<b>REM</b> - Remote Mount Emergency Battery <b>RIF</b> - Radio Interference Filter <b>PFR</b> - Plaster Frame Extender (for ceilings up to 2" thick) <b>SA**</b> - Slope Ceiling Adaptor (white finish standard) <b>CFM</b> - Custom Frame Modifications (consult factory)	<b>PFL</b> - Polish Flange <b>TLP</b> - Top Re-lamp Modifications <b>FGSK</b> - Flange Gasket <b>GR</b> - Goof Ring*	<b>H</b> - Magnetic HPF <b>N</b> - Normal Power
** - specify slope degrees in 5° increments up to 45°	* - specify I.D. and O.D. standard white finish	

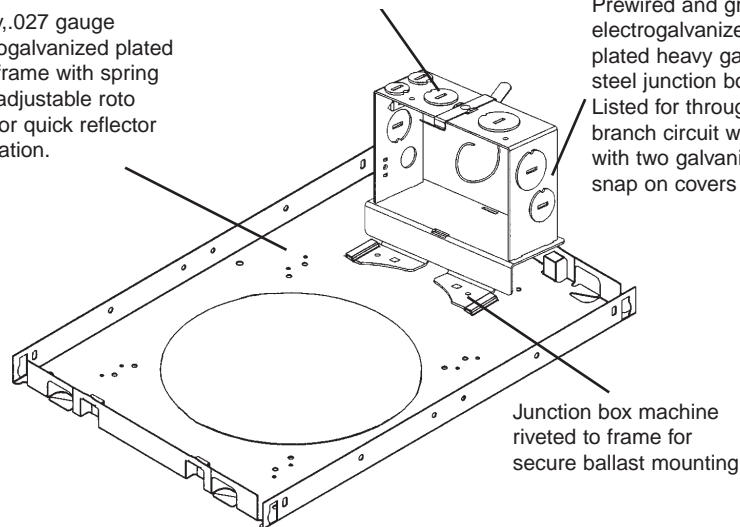
### 8" Vertical Compact Fluorescent



Heavy .027 gauge electrogalvanized plated steel frame with spring steel adjustable roto clips for quick reflector installation.

Multiple 1/2" and 3/4" pryouts.

Prewired and grounded electrogalvanized plated heavy gauge steel junction box. Listed for through branch circuit wiring with two galvanized snap on covers



Frame Options	Trim Options	Ballast Options
<b>REM</b> - Remote Mount Emergency Battery <b>RIF</b> - Radio Interference Filter <b>PFR</b> - Plaster Frame Extender (for ceilings up to 2" thick) <b>SA**</b> - Slope Ceiling Adaptor (white finish standard) <b>CFM</b> - Custom Frame Modifications (consult factory)	<b>PFL</b> - Polish Flange <b>TLP</b> - Top Re-lamp Modifications <b>FGSK</b> - Flange Gasket <b>GR</b> - Goof Ring*	<b>H</b> - Magnetic HPF <b>N</b> - Normal Power
** - specify slope degrees in 5° increments up to 45°	* - specify I.D. and O.D. standard white finish	