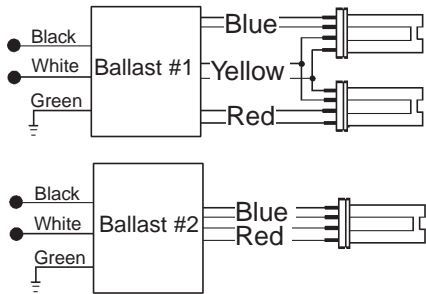


# Electronic / Magnetic / Dimming Wiring Directions

## Electronic 3 Lamp



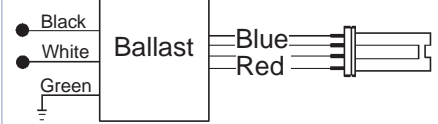
Green terminal must be grounded

## Electronic 2 Lamp



Green terminal must be grounded

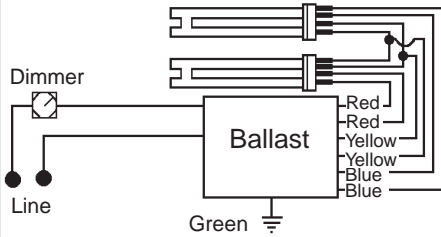
## Electronic 1 Lamp



Green terminal must be grounded

## Advance Mark X Dimming

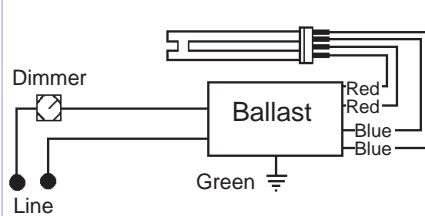
### 2 Lamp



Green terminal must be grounded

## Advance Mark X Dimming

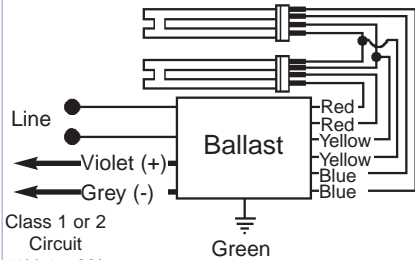
### 1 Lamp



Green terminal must be grounded

## Advance Mark VII Dimming

### 2 Lamp/0-10V DC Input

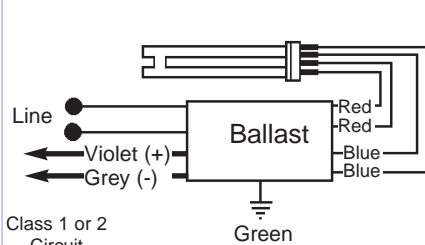


Class 1 or 2  
Circuit  
10V, 0.5 MA

Green terminal must be grounded

## Advance Mark VII Dimming

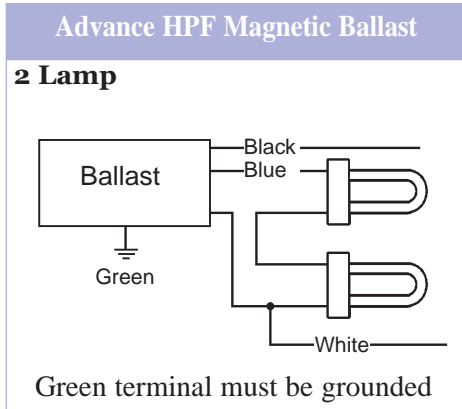
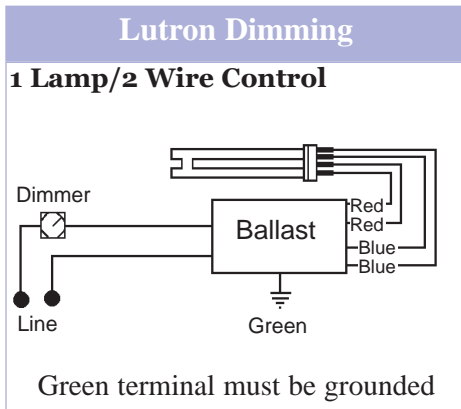
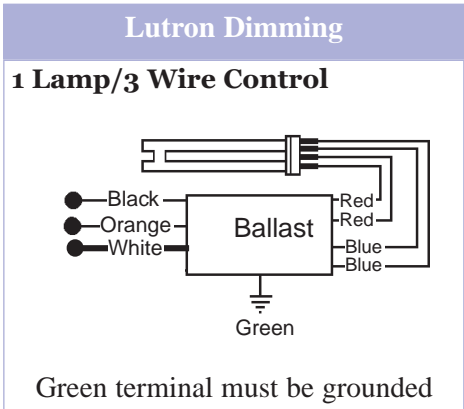
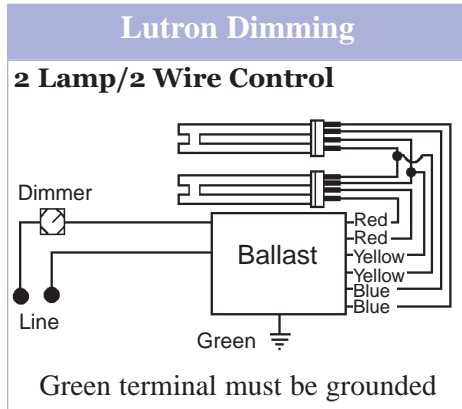
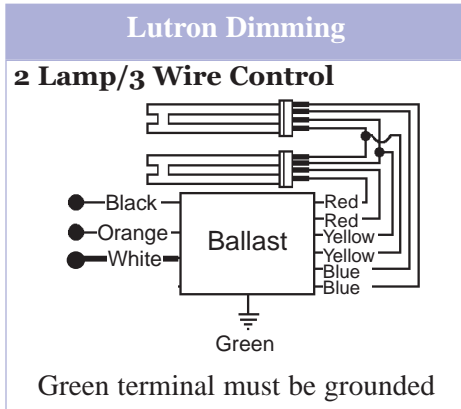
### 1 Lamp/0-10V DC Input



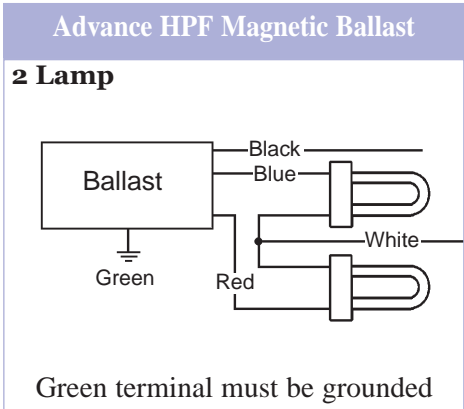
Class 1 or 2  
Circuit  
10V, 0.5 MA

Green terminal must be grounded

# Electronic / Magnetic / Dimming Wiring Directions



2x18W/26W 120V - Wiring Instructions  
 2x13W 277V - Wiring Instructions



2x18W/26W 277V - Wiring Instructions  
 2x13W 120V - Wiring Instructions

